



ZS6HVB

Affiliated to the  
SARL

# SHACKNEWS

## HIGHVELD AMATEUR RADIO CLUB

Last Quarter 2017

We're on



### COMMUNICATION IS THE NAME OF THE GAME

The club plans to hold the annual end-of-year braai at Rex's home on Sunday 10 December 2017. From 12:00 onwards. If the ladies could bring a salad along that will be appreciated. The club will supply cold drinks. Don't forget subs are due - R50.00

---

### Some puns

I changed my iPod's name to Titanic. It's syncing now.

When chemists die, they barium.

Jokes about German sausage are the wurst.

I know a guy who's addicted to brake fluid. He says he can stop any time..

I stayed up all night to see where the sun went. Then it dawned on me.

This girl said she recognized me from the vegetarian club, but I'd never met herbivore.

I'm reading a book about anti-gravity. I just can't put it down.

They told me I had type-A blood, but it was a Type-O.

I didn't like my beard at first. Then it grew on me.

Did you hear about the cross-eyed teacher who lost her job because she couldn't control her pupils?

When you get a bladder infection urine trouble.

Broken pencils are pointless.

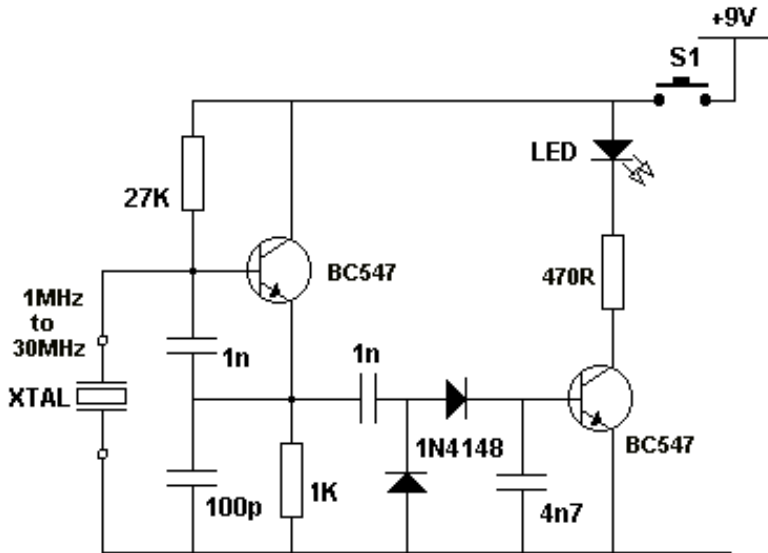
I tried to catch some fog, but I mist.

What do you call a dinosaur with an extensive vocabulary? A thesaurus.

England has no kidney bank, but it does have a Liverpool.

I used to be a banker, but then I lost interest

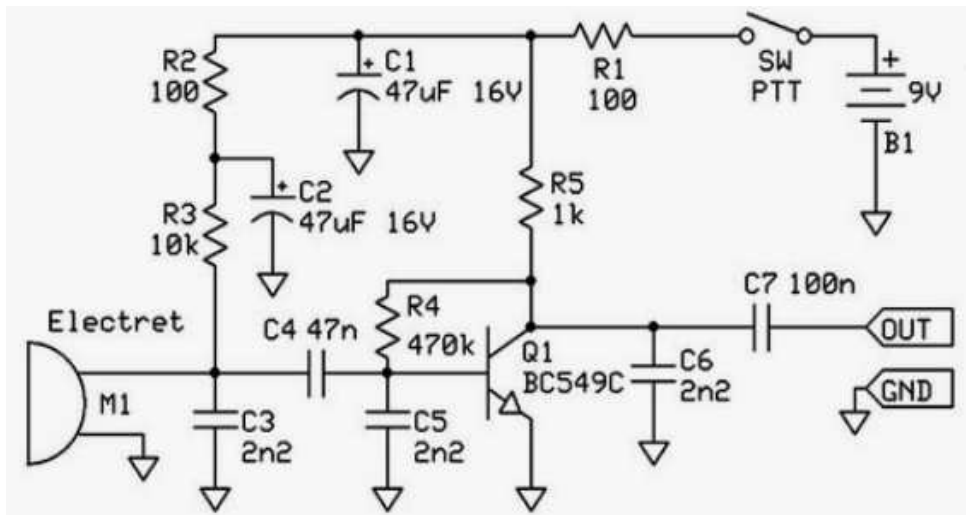
## Test all those crystals in your junk box



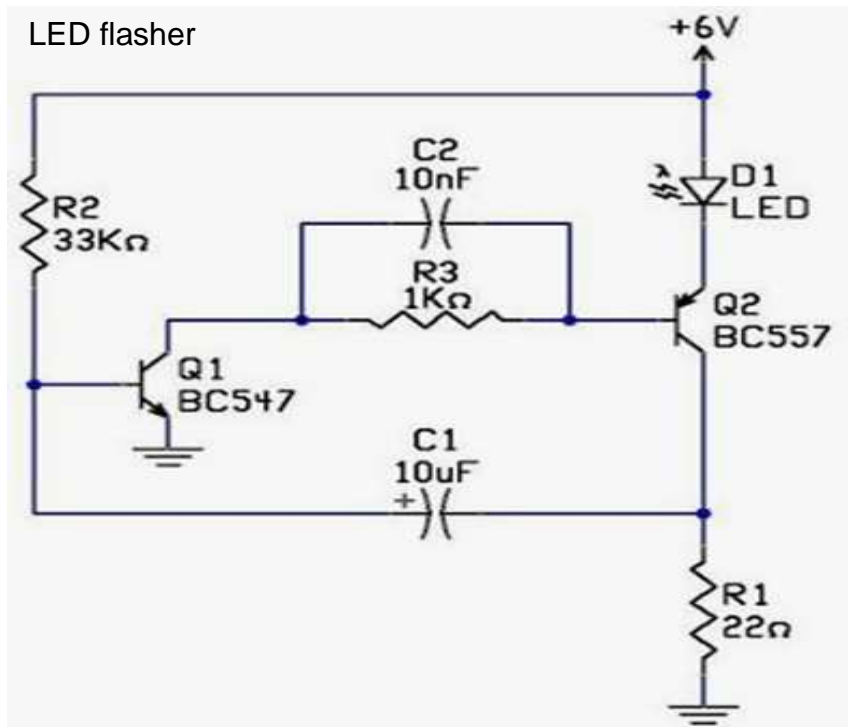
This circuit will test crystals from 1MHz to 30MHz. When the crystal oscillates, the output will pass through the 1n capacitor to the two diodes.

These will charge the 4n7 and turn on the second transistor. This will cause the LED to illuminate.

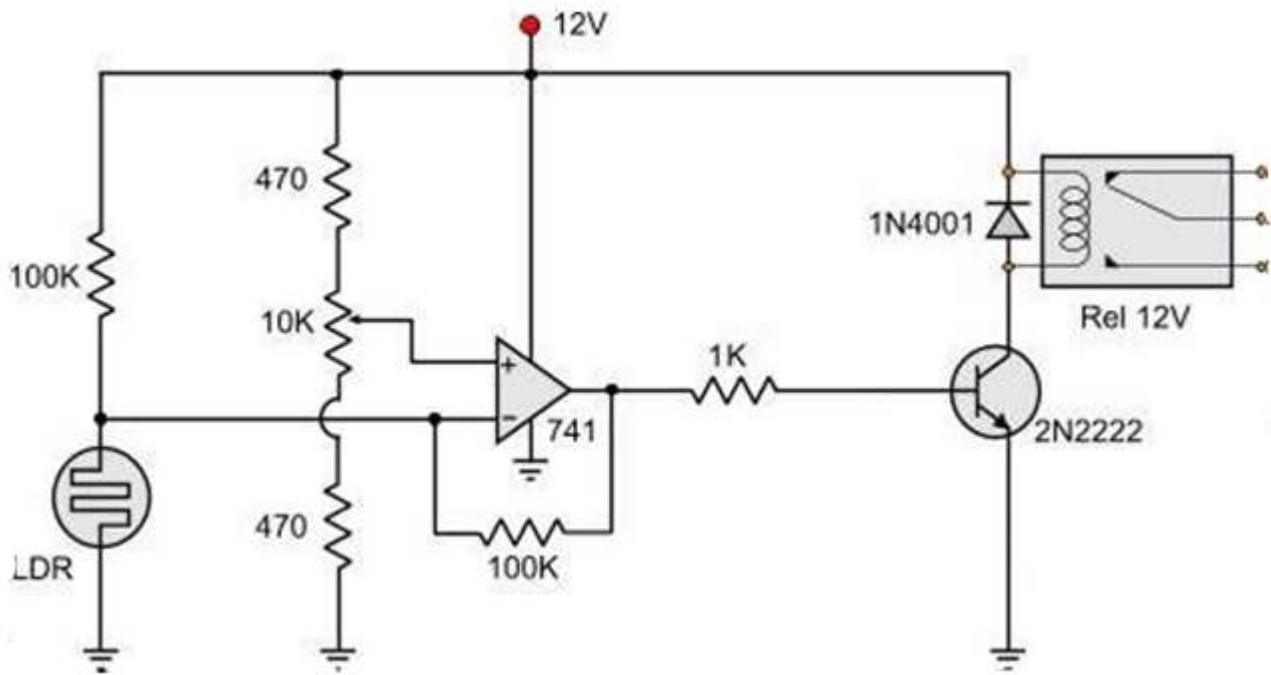
Electret microphone amp



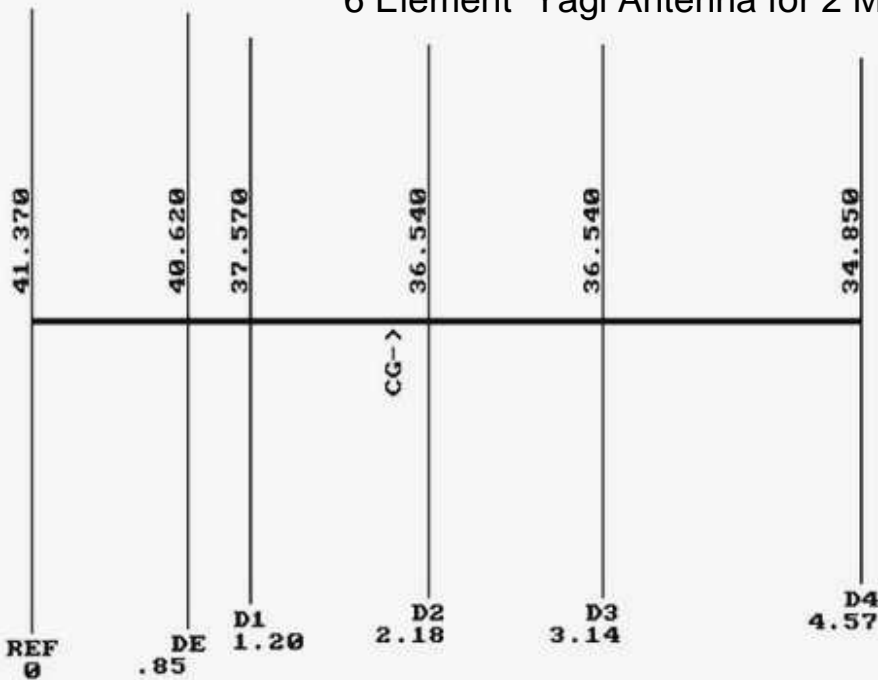
LED flasher



## Another Day - Night switch



## 6 Element Yagi Antenna for 2 Meters



Theoretically the antenna has about 10dBi gain in its main lobe and a good Front-to-Back ratio.

### Dimensions (in cm)

Element, Length,	Space from Reflector	
Reflector – 102.92,		
Driver – 101.50,	25.73	
Director 1 – 94.95,	36.37	
Director 2 – 92.23,	65.86	
Director 3 – 92.23,	94.69	
Director 4 – 88.80 ,	137.72	Calculated Center of gravity : 60.66 cm

**I don't understand how I can remember every word of a song from 1964, but I can't remember why I walked into the kitchen?**

**CAMPING:**  
where you spend a small fortune, to live like a homeless person.

JUST SPENT 15 MINUTES SEARCHING FOR MY PHONE IN MY CAR. USING MY PHONE AS A FLASHLIGHT.



**YOUNG AT HEART**  
Slightly older in other places.



**I'm speeding because I have to get there before I forget where I'm going.**

**LIVE EACH DAY LIKE IT'S YOUR LAST.**  
One day, you'll get it right.



**The only trouble with retirement...**  
you never get a damn day off!



### Club Information

**Postal address** PO Box 19937 Sunward Park 1470

**Website** <http://www.zs6hvb.za.net>

**Back Issues of Shacknews available on the club website**

**e-mail** [zs6hvb@zs6hvb.za.net](mailto:zs6hvb@zs6hvb.za.net)

**Repeater** 145.1875 MHz input - 145.7875 MHz output

**Bulletins** Sunday morning - 145.7875 MHz & 7162 KHz @ 08h45.

Monthly meeting venue  
Every Third month  
On the 3rd Saturday of the month  
at 14:30.  
@ various venues

	Chairman	Vacant	Committee	
Secretary/Treasurer	Berridge Emmett	ZS6BFL	011-893-1291	
Shacknews Editor	Berridge Emmett	ZS6BFL	011-893-1291	
Shacknews Printing	Harry Lautenbach	ZS6LT	011-888-5362	