



SHACKNEWS

HIGHVELD AMATEUR RADIO CLUB

JANUARY 2008

COMMUNICATION IS THE NAME OF THE GAME

Meeting There was no official meeting held this month. The first meeting for 2008 will be held on Saturday 2nd February. Members from the AWA will be visiting.

SSC Meeting A successful meeting was held at the home of Berridge and Sandra on the 12th of January 2008. According to the register there were 15 members in attendance. Thanks to Sylvia and Sandra for all the nice goodies to eat. The next meeting takes place at the home of Doug and Merle on Saturday 9th February 2008.

---oooOOOooo---

5 minute management course

A sales rep, an administration clerk, and the manager are walking to lunch when they find an antique oil lamp. They rub it and a Genie comes out.

The Genie says, "I'll give each of you just one wish .."

"Me first! Me first!" says the admin clerk. "I want to be in the Bahamas , driving a speedboat, without a care in the world."

Puff! She's gone.

"Me next! Me next!" says the sales rep. "I want to be in Hawaii ,relaxing on the beach with my personal masseuse, an endless supply of Pina Coladas and the love of my life."

Puff! He's gone.

"OK, you're up," the Genie says to the manager.

The manager says, "I want those two back in the office after lunch."

Moral of the story:

Always let your boss have the first say.

---oooOOOooo---

Funny of the week

A photographer for a national news magazine was assigned to get photos of a big forest fire.

The smoke at the scene was too thick to get any good shots, so he frantically called his home office to hire plane.

It will be waiting for you at the airport. he was assured by his editor.

As soon as he got to the small, rural airport, sure enough, a plane was warming up near the runway.

He jumped in with his equipment and yelled, *Let's go, Let's go!* The pilot swung the plane into the wind and soon they were in the air. *Fly over the north side of the fire, said the photographer, and make three or four low level passes.*

Why? asked the pilot.

Because I'm going to take pictures. I'm a photographer, and photographers take pictures! said the photogra with great exasperation and impatience.

After a long pause the pilot said, *You mean you're not my instructor?*

Why it is important to use a limiter?

Audio signals as music or speech have big dynamic ranges. There are silent and loud sections. These audio signals aren't too good for a transmitter, which requires audio signal with constant level on the input. Limiter is a device, which weakens loud signals and intensifies silent signals. On its output there is a signal with constant level.

Technical specifications

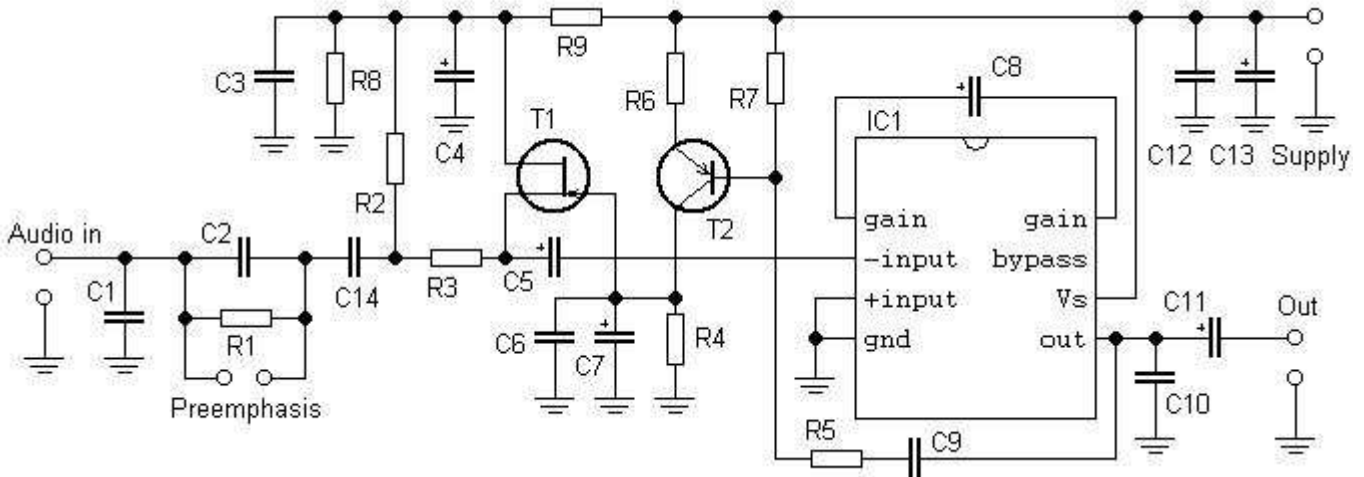
Supply voltage: 10-14 V stab.

Supply currents: 20 mA

Audio input: impedance 20 kOhm, optional preemphasis

Output voltage: 0,4 V rms

Dynamic range: >50 dB



Parts list

Resistors:

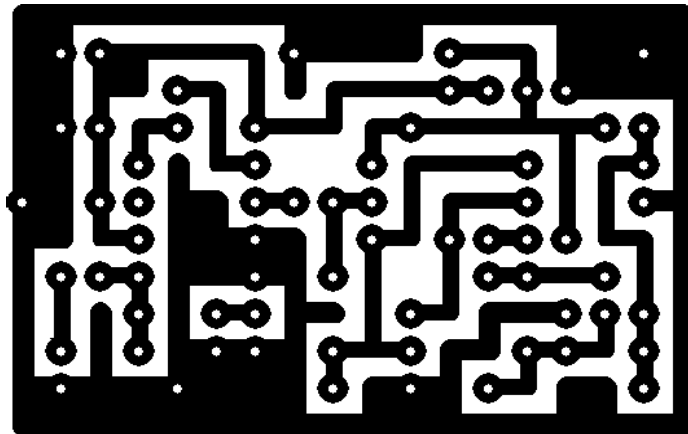
- R1 - 68 k
- R2 - 22 k
- R3 - 180 k
- R4 - 10 M
- R5 - 10 k
- R6 - 47 R
- R7 - 240 k
- R8 - 1,5 k
- R9 - 820 R

Capacitors:

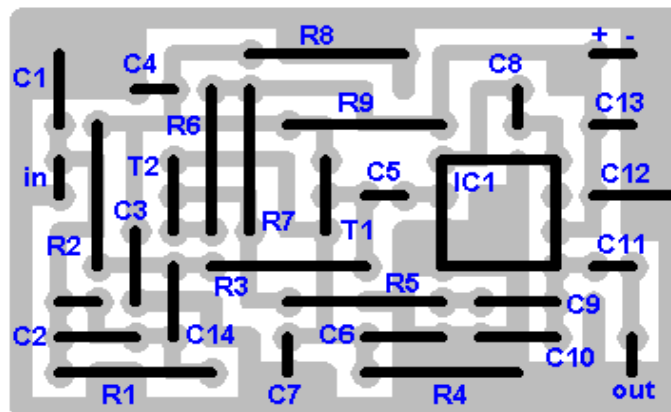
- C1 - 100 p (ceramic)
- C2 - 1 n (plastic)
- C3, C6, C12 - 100 n (ceramic)
- C4, C11, C13 - 100 u (electrolytic)
- C5 - 0,33 u (tantalum)
- C7, C8 - 10 u (electrolytic)
- C9 - 220 n (plastic)
- C10 - 47 n (ceramic)
- C14 - 470 n (plastic)

Misc.:

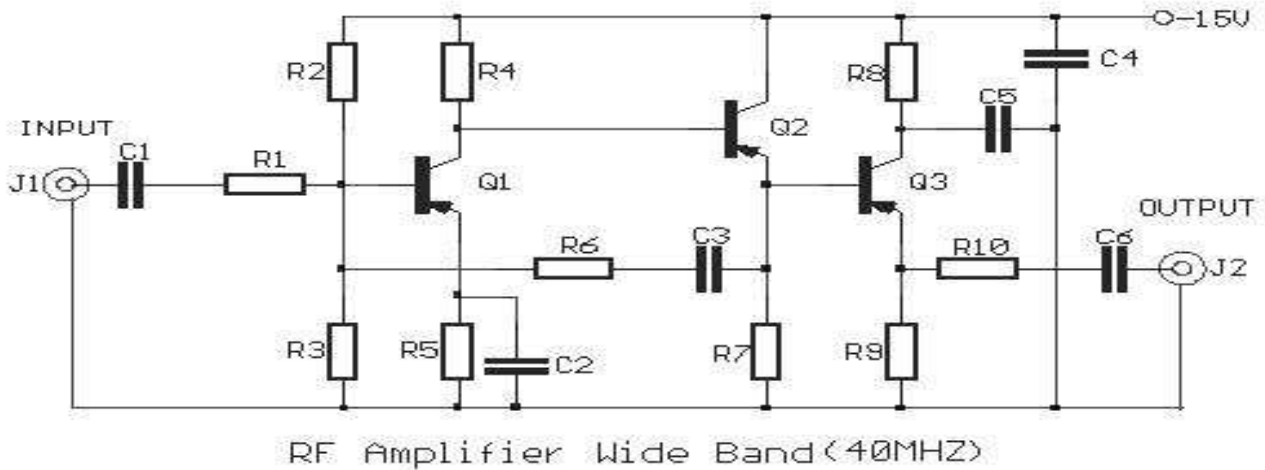
- T1 - BF245C
- T2 - BC556B, BC307
- IC1 - LM386



<--- 45 mm --->



Wide Band RF Amp



The amplifier circuit does not use any resonant circuits and is suitable up to 40MHz. The gain is in the order 20db and it consumes 7mA, when it is supplied with 12 to 15V dc.

Parts List

R1=75ohm
R2=10Kohm
R3-7=5.6Kohm
R4-5 =4.7Kohm
R6=820ohm
R8=470ohm
R9=2.2Kohm
R10=68ohm

C1-3=47nF 100V
C2-4=10nF 100V
C5-6=47nF 100V

Q1-2-3=AF125

---000000000---

Wind Power

One of the discussions on the Porky Club recently was the use of Wind Power. The following are a number of Internet sites with useful info for building a Wind Turbine. Here on the Highveld wind is a problem.

<http://windpower.org.za/>

<http://greenliving.lovetoknow.com/>

http://www.mdpub.com/Wind_Turbine/index.html

http://www.otherpower.com/otherpower_wind_tips.html

<http://www.instructables.com/id/DIY-1000-watt-wind-turbine/>

http://www.alton-moore.net/wind_turbines.html

Time

With all the load shedding and mains frequency instability the following sites can be useful.

<http://www.timeanddate.com/worldclock/>

<http://tycho.usno.navy.mil/>

<http://www.dxing.com/utcgmt.htm>

WHY WE LOVE KIDS

1- While working for an organization that delivers lunches to elderly shut-ins, I used to take my four-year-old daughter on my afternoon rounds. She was unfailingly intrigued by the various appliances of old age, particularly the canes, walkers and wheelchairs. One day I found her staring at a pair of false teeth soaking in a glass. As I braced myself for the inevitable barrage of questions, she merely turned and whispered, "The tooth fairy will never believe this!"

2- A little girl was watching her parents dress for a party. When she saw her dad donning his tuxedo, she warned, "Daddy, you shouldn't wear that suit." "And why not, darling?" "You know that it always gives you a headache next morning."

Attached is schedule of meetings for 2008. Green is for HARC, Mauve is for SSC social events and the yellow one is for the end-of-year combined social

CLUB INFORMATION

Postal address PO Box 19937 Sunward Park 1470

Monthly meeting venue

Website <http://www.qsl.net/zs6hvb/>
<http://www.qsl.net/zs6ssc/>

Witwatersrand Rifles HQ
Cnr Barlow and Cavaleros Str
Industries West
Germiston

e-mail zs6hvbinfo@zs6ro.co.za

Bulletins Sunday morning - 145.7875 MHz & 7062 KHz @ 08h45.

Committee

Chairman	Doug Wetton	ZS6BXU	011-680-4906
Vice Chairman	Frank van Wensveen	ZS6TMV	082-294-2648
Secretary/Treasurer	Berridge Emmett	ZS6BFL	011-893-1291
Repeater/Packet/Technical	Ton van Dijk	ZS6ANA	011-432-5494
Shacknews Editor	Berridge Emmett	ZS6BFL	011-893-1291
Shacknews Printing	Harry Lautenbach	ZS6LT	011-888-5362
Webmaster	Yvonne van Dijk	ZR6TBL	011-432-5494

Repeater

145.1875 MHz input

145.7875 MHz output

Linked on a Sunday morning during bulletin time to 70 cm - 438.850 MHz

2008

January

S	M	T	W	T	F	S
		1	2	3	4	5
6	7	8	9	10	11	12
13	14	15	16	17	18	19
20	21	22	23	24	25	26
27	28	29	30	31		

February

S	M	T	W	T	F	S
					1	2
3	4	5	6	7	8	9
10	11	12	13	14	15	16
17	18	19	20	21	22	23
24	25	26	27	28	29	

March

S	M	T	W	T	F	S
						1
2	3	4	5	6	7	8
9	10	11	12	13	14	15
16	17	18	19	20	21	22
23	24	25	26	27	28	29
30	31					

April

S	M	T	W	T	F	S
		1	2	3	4	5
6	7	8	9	10	11	12
13	14	15	16	17	18	19
20	21	22	23	24	25	26
27	28	29	30			

May

S	M	T	W	T	F	S
				1	2	3
4	5	6	7	8	9	10
11	12	13	14	15	16	17
18	19	20	21	22	23	24
25	26	27	28	29	30	31

June

S	M	T	W	T	F	S
1	2	3	4	5	6	7
8	9	10	11	12	13	14
15	16	17	18	19	20	21
22	23	24	25	26	27	28
29	30					

July

S	M	T	W	T	F	S
		1	2	3	4	5
6	7	8	9	10	11	12
13	14	15	16	17	18	19
20	21	22	23	24	25	26
27	28	29	30	31		

August

S	M	T	W	T	F	S
					1	2
3	4	5	6	7	8	9
10	11	12	13	14	15	16
17	18	19	20	21	22	23
24	25	26	27	28	29	30
31						

September

S	M	T	W	T	F	S
	1	2	3	4	5	6
7	8	9	10	11	12	13
14	15	16	17	18	19	20
21	22	23	24	25	26	27
28	29	30				

October

S	M	T	W	T	F	S
			1	2	3	4
5	6	7	8	9	10	11
12	13	14	15	16	17	18
19	20	21	22	23	24	25
26	27	28	29	30	31	

November

S	M	T	W	T	F	S
						1
2	3	4	5	6	7	8
9	10	11	12	13	14	15
16	17	18	19	20	21	22
23	24	25	26	27	28	29
30						

December

S	M	T	W	T	F	S
	1	2	3	4	5	6
7	8	9	10	11	12	13
14	15	16	17	18	19	20
21	22	23	24	25	26	27
28	29	30	31			