



HIGHVELD AMATEUR RADIO CLUB

SHACKNEWS

PO Box 19937 Sunward Park 1470

MARCH 2007

Website <http://www.qsl.net/zs6hvb/> e-mail [http://zs6hvbinfo@zs6ro.co.za/](mailto:zs6hvbinfo@zs6ro.co.za)
<http://www.qsl.net/zs6ssc/>

Sunday morning BULLETINS - 145.7875 MHz & 7062 KHz @ ±08h45.

COMMUNICATION IS THE NAME OF THE GAME

Meeting There were 13 amateurs present who partook in a discussion on ECHOLINK, which was given by Yvonne ZR6TBL. There will be a flea market/ bring-and-braai to be held at the farm of ZS6REX. It will take place on Sunday 1st April 2007 (no April fool joke hi). The flea market will start at 11:00 and the braai at 13:00. This event will also be the April HARC meeting. Welcome to Frank Mercier ZS6MER who has joined the club.

SSC Meeting The meeting was a great success. Thanks to Ton and Yvonne for hosting the meeting at their home as well as for the refreshments. Also thanks to the others who brought along cakes and other goodies. The next meeting is still to be decided upon.

---oooOOOooo---

Mid Life Hits.

It was fun being a baby boomer - until now. Some of the artists of the 60's are revising their music hits with new lyrics to accommodate baby boomers once again in their golden years.

They include:

Herman's Hermits - - Mrs. Brown, You've Got a Lovely Walker

The Bee Gees -- How Can You Mend a Broken Hip.

Ringo Starr -- I Get By With a Little Help From Depends.

Roberta Flack -- The First Time Ever I Forgot Your Face.

Johnny Nash -- I Can't See Clearly Now.

Paul Simon -- Fifty Ways to Lose Your Liver

The Commodores -- Once, Twice, Three Times to the Bathroom.

Leo Sayer -- You Make Me Feel Like Napping.

The Temptations -- Papa's Got a Kidney Stone.

Chairman:	Doug Wetton	ZS6BXU	011-680-4906
Vice Chairman	Frank van Wensveen	ZS6TMV	011-942-3657
Secretary / Treasurer:	Berridge Emmett	ZS6BFL	011-893-1291
Repeater/Packet Radio/Technical	Ton Van Dijk	ZS6ANA	011-942-3657
Shacknews Editor:	Berridge Emmett	ZS6BFL	011-893-1291
Shacknews-Print & Posting:	Harry Lautenbach	ZS6LT	011-888-5362
Website Manager	Yvonne Van Dijk	ZR6TBL	011-942-3657
QSL Manager:	Vacant		

Abba -- Denture Queen.

Tony Orlando--Knock 3 Times On The Ceiling If You Hear Me Fall

Helen Reddy -- I Am Woman, Hear Me Snore.

---oooOOOooo---

For amateur operators who feed their signals through 1/4-inch (6.5mm) coaxial cable (such as RG-58/U and RG-59/U).

Combing the shield braid wires down the outside of the reducing adapter and then screwing the adapter into the body of the fitting raises a question as to how well the fine wires have behaved themselves inside. In the conventional soldering operation, it is nearly impossible to keep the whole assembly from reaching a high temperature and subjecting the small core of insulation around the inner conductor to damage. One often feels the urge to give their handiwork an X-ray examination to learn just what has cooked.

The following procedure is offered as an alternative: Lightly apply a ring of solder to the forward rim of the reducing sleeve. Insert your coax cable through the sleeve and remove the desired amount of insulation. Disregard the insulation around the inner conductor for the moment. With a large straight pin or other pointed object, comb apart the fine wires of the braid and draw the wires straight out like the petals of a flower. Now solder the wires to the forward rim of the reducing sleeve. Very little heat is required to do this because there is only a small amount of metal involved. Trim back the wires and any superfluous solder flush with the bushing and give the job a final touching up with a fine file.

Next, strip 1/2 inch (13mm) of the insulation from the inner conductor and tin the conductor. The adapter sleeve with the securely attached coax cable is now ready to screw into position within the body of the fitting.

Give the assembly an extra twist with pliers to assure good contact between body and adapter. Complete the assembly by soldering the centre conductor. You will find this procedure actually faster than the usual one, as well as providing more positive results, and you can apply the cost of that X-ray machine toward a new rig!



Editor's version.

Works like a dream

From QST November 1960

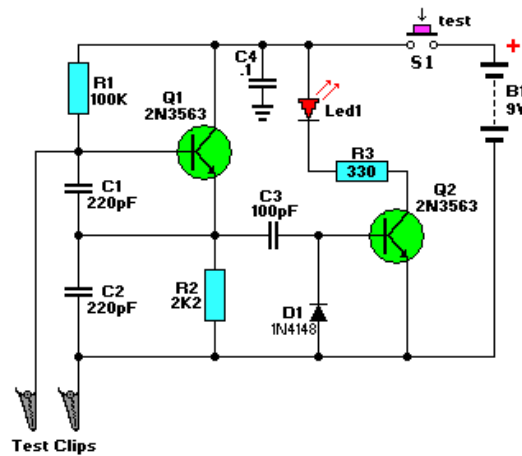
Chairman:	Doug Wetton	ZS6BXU	011-680-4906
Vice Chairman	Frank van Wensveen	ZS6TMV	011-942-3657
Secretary / Treasurer:	Berridge Emmett	ZS6BFL	011-893-1291
Repeater/Packet Radio/Technical	Ton Van Dijk	ZS6ANA	011-942-3657
Shacknews Editor:	Berridge Emmett	ZS6BFL	011-893-1291
Shacknews-Print & Posting:	Harry Lautenbach	ZS6LT	011-888-5362
Website Manager	Yvonne Van Dijk	ZR6TBL	011-942-3657
QSL Manager:	Vacant		

Crystal checker

Transistor Q1, a 2N3563, and its associated components form an oscillator circuit that will oscillate if, and only if, a good crystal is connected to the test clips. The output from the oscillator is then rectified by the 1N4148 signal diode and filtered by C3, a 100pF capacitor.

The positive voltage developed across the capacitor is applied to the base of Q2, another 2N3563, causing it to conduct. When that happens, current flows through Led1, causing it to glow. Since only a good crystal will oscillate, a glowing LED indicates that the crystal is indeed OK.

You can use the NTE123AP, PN100, or the 2N3904, for the transistors, however, the circuit works better with the 2N3563's for crystals in the higher MHz. The NTE108 is a direct replacement for the 2N3563. R3, the 330-ohm resistor for the Led, can be lowered to 220/270 ohm if your application is for crystals in the high MHz, which makes the led glow dimly in some instances. A standard 9-volt battery powers the circuit and the SPST push button power-switch is included to prolong battery life but not really needed if you use a socket for the crystal-under-test.



From somewhere on the WWW

---oooOOOooo---

Overdose victims



Chairman:
 Vice Chairman
 Secretary / Treasurer:
 Repeater/Packet Radio/Technical
 Shacknews Editor:
 Shacknews-Print & Posting:
 Website Manager
 QSL Manager:

Doug Wetton
 Frank van Wensveen
 Berridge Emmett
 Ton Van Dijk
 Berridge Emmett
 Harry Lautenbach
 Yvonne Van Dijk
 Vacant

ZS6BXU
 ZS6TMV
 ZS6BFL
 ZS6ANA
 ZS6BFL
 ZS6LT
 ZR6TBL

011-680-4906
 011-942-3657
 011-893-1291
 011-942-3657
 011-893-1291
 011-888-5362
 011-942-3657

More overdose victims



← Know this one

73 Berridge ZS6BFL

Chairman:
Vice Chairman
Secretary / Treasurer:
Repeater/Packet Radio/Technical
Shacknews Editor:
Shacknews-Print & Posting:
Website Manager
QSL Manager:

Doug Wetton
Frank van Wensveen
Berridge Emmett
Ton Van Dijk
Berridge Emmett
Harry Lautenbach
Yvonne Van Dijk
Vacant

ZS6BXU
ZS6TMV
ZS6BFL
ZS6ANA
ZS6BFL
ZS6LT
ZR6TBL

011-680-4906
011-942-3657
011-893-1291
011-942-3657
011-893-1291
011-888-5362
011-942-3657