



# HIGHVELD AMATEUR RADIO CLUB

## SHACKNEWS

PO Box 19937 Sunward Park 1470

FEBRUARY 2007

Website <http://www.qsl.net/zs6hvb/>  
<http://www.qsl.net/zs6ssc/>

e-mail [http://zs6hvbinfo@zs6ro.co.za/](mailto:zs6hvbinfo@zs6ro.co.za)

Sunday morning BULLETINS - 145.7875 MHz & 7062 KHz @ ±08h45.

### COMMUNICATION IS THE NAME OF THE GAME

**Meeting** A good turnout was present at the first meeting of 2007. Plans for the year were debated and decided upon. At the next meeting Frank ZS6TMV will give a talk on ECHOLINK. There are plans to hold a flea market sometime in April at the QTH of ZS6REX. The date still has to be confirmed. It is to be held on a Sunday with a bring and braai. Welcome to Ray Steedman ZS6QM who has joined the club.

**SSC Meeting** The meeting was a great success. Thanks to Doug and Merle for opening up their home as well as the refreshments. Also thanks to the others who brought along cakes and other goodies. The next meeting is to be held at the QTH of Ton and Yvonne on 10<sup>th</sup> March.

---oooOOOooo---

An Irishman walks into a bar in Dublin, orders three pints of Guinness and sits in the back of the room, drinking a sip out of each one in turn. When he finished all three, he comes back to the bar and orders three more.

The bartender says to him, "You know, a pint goes flat after I draw it; it would taste better if you bought one at a time." The Irishman replies, "Well, you see, I have two brothers. One is in America, the other in Australia, and I'm here in Dublin. When we all left home, we promised that we'd drink this way to remember the days we all drank together."

The bartender admits that this is a nice custom, and leaves it there.

The Irishman becomes a regular in the bar and always drinks the same way: he orders three pints and drinks the three pints by taking drinks from each of them in turn.

One day, he comes in and orders two pints. All the other regulars in the bar notice and fall silent. When he comes back to the bar for the second

round, the bartender says, "I don't want to intrude on your grief, but I wanted to offer my condolences on your great loss."

The Irishman looks confused for a moment, then a light dawns in his eye and he laughs.

"Oh, no," he says, "Everyone is fine. It's me..."

"...I've quit drinking!"

Chairman:	Doug Wetton	ZS6BXU	011-680-4906
Vice Chairman	Frank van Wensveen	ZS6TMV	011-942-3657
Secretary / Treasurer:	Berridge Emmett	ZS6BFL	011-893-1291
Repeater/Packet Radio/Technical	Ton Van Dijk	ZS6ANA	011-942-3657
Shacknews Editor:	Berridge Emmett	ZS6BFL	011-893-1291
Shacknews-Print & Posting:	Harry Lautenbach	ZS6LT	011-888-5362
Website Manager	Yvonne Van Dijk	ZR6TBL	011-942-3657
QSL Manager:	Vacant		

## SAAWA OPEN DAY

The Southern African Antique Wireless Association will hold its Annual Open Day on Saturday 21st April 2007 at the Transvaal Aviation Club (TAC) east of Rand Airport, to commemorate Marconi Day.

The event will include a display of antique wireless equipment, a flea market, an educational radio station and many aviation attractions.

Individuals, clubs as well as radio suppliers are invited to join in the day's activities and strengthen the amateur fellowship.

SAAWA is aware that this event clashes with the RTA on the same day in Durban. However, it is believed that none of the activities will adversely affect the other.

---oooOOOooo---

## Audio Speech Processor

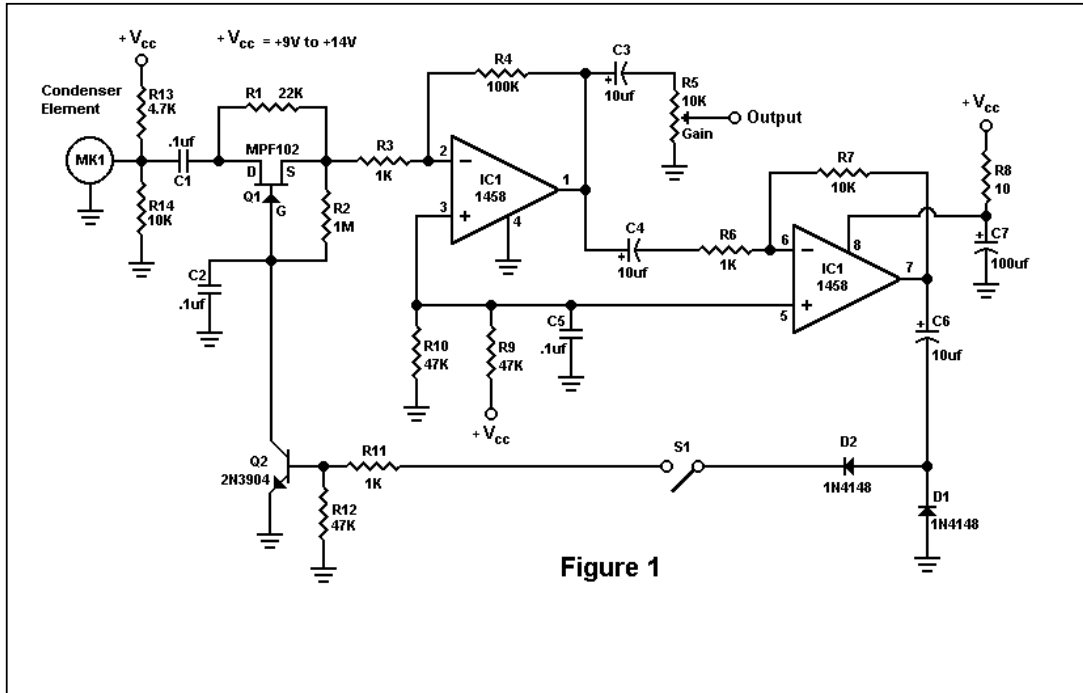
Although most modern HF rigs have built in speech processors, a lot of the low power SSB rigs and kits do not have any real speech processor circuitry. When one operates at low power on SSB, speech processing becomes almost essential to get through the QRM. The circuit is a low cost speech processor that will perform well with a minimum of construction effort. The circuit even includes the microphone element so that a complete speech processor microphone can be assembled in an old defunct desk mike.

The circuit consists of an audio preamplifier and a feedback amplifier for the necessary speech processing. To use the speech processor, S1 must be closed first. Leaving S1 open gives us a basic preamplified microphone with R5 as the gain control. When S1 is closed, voice peaks from the feedback amplifier trigger Q2 to conduct causing the gate of Q1 to become negative. This action causes the resistance between the drain and source of Q1 to substantially increase. Resistor R1 allows a small amount of audio to pass during very large voice peaks. This circuit is similar to the audio muting switch found in many QRP transceiver circuits. Capacitor C2 smoothes out the voice limiting action while C6 provides a time delay giving us the fast attack, slow release action.

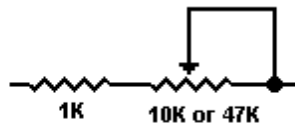
The gain of the preamplifier is set by R3 and R4 giving us a voltage gain of 100. The feedback amplifier's gain is set by R6 and R7 and is set at a voltage gain of 10. Because of the large amount of gain in the circuit, background noises (even music) can easily be picked up in a noisy room. It is recommended that this circuit only be turned on in a relatively quiet environment. If desired, the level of compression can be made adjustable by replacing R7 with a 1K resistor and a 10K or 47K potentiometer. If a different microphone than a condenser element is used, remove R13 and R14 from the circuit. It may be necessary to increase or decrease R7 for different microphones. While speech processors can make a difference getting through the QRM, they can cause unnatural sounding voice audio and should not be used when chatting locally. S1 provides an easy on/off switch for the speech processor during the local rag chew.

This circuit can be easily constructed on any universal PC or perf board and should be housed in some type of metal enclosure to keep RF out.

Chairman:	Doug Wetton	ZS6BXU	011-680-4906
Vice Chairman	Frank van Wensveen	ZS6TMV	011-942-3657
Secretary / Treasurer:	Berridge Emmett	ZS6BFL	011-893-1291
Repeater/Packet Radio/Technical	Ton Van Dijk	ZS6ANA	011-942-3657
Shacknews Editor:	Berridge Emmett	ZS6BFL	011-893-1291
Shacknews-Print & Posting:	Harry Lautenbach	ZS6LT	011-888-5362
Website Manager	Yvonne Van Dijk	ZR6TBL	011-942-3657
QSL Manager:	Vacant		



**Replace R7 as follows for variable speech compression control:**



**Figure 2**

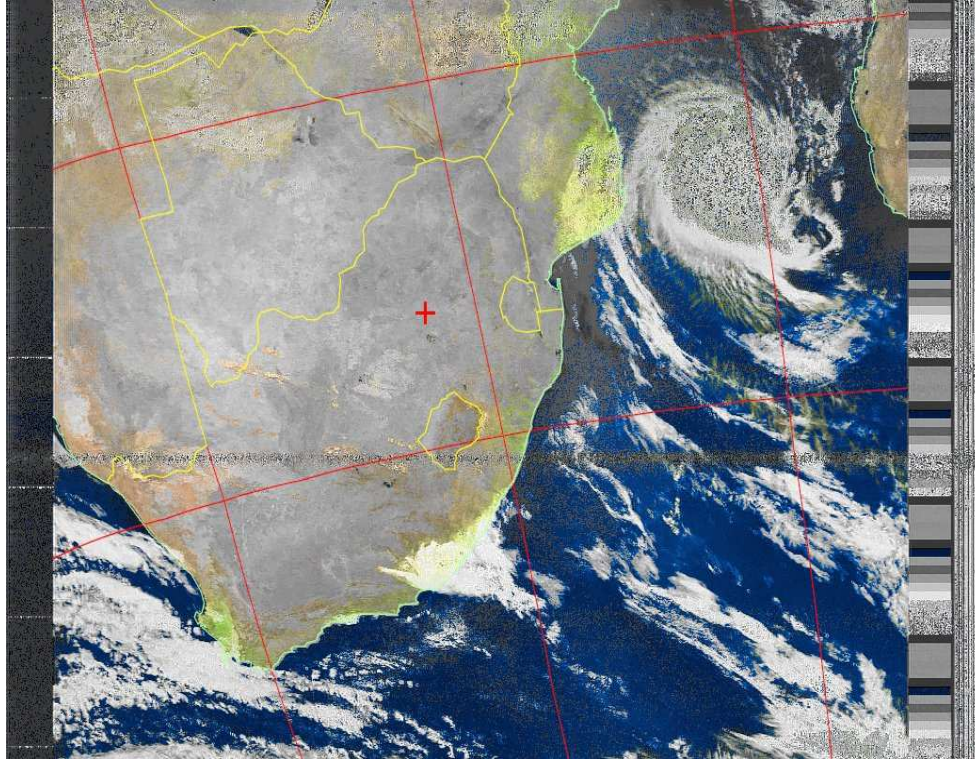
Chairman:  
 Vice Chairman  
 Secretary / Treasurer:  
 Repeater/Packet Radio/Technical  
 Shacknews Editor:  
 Shacknews-Print & Posting:  
 Website Manager  
 QSL Manager:

Doug Wetton  
 Frank van Wensveen  
 Berridge Emmett  
 Ton Van Dijk  
 Berridge Emmett  
 Harry Lautenbach  
 Yvonne Van Dijk  
 Vacant

ZS6BXU  
 ZS6TMV  
 ZS6BFL  
 ZS6ANA  
 ZS6BFL  
 ZS6LT  
 ZR6TBL

011-680-4906  
 011-942-3657  
 011-893-1291  
 011-942-3657  
 011-893-1291  
 011-888-5362  
 011-942-3657

Cyclone in the Mocambique channel 2007-02-20 @ 09:50



## Tools of the trade

**DRILL PRESS:** A tall upright machine useful for suddenly snatching flat metal bar stock out of your hands so that it smacks you in the chest and flings your beer across the room, splattering it against that freshly-stained heirloom piece you were drying.

**ELECTRIC HAND DRILL:** Normally used for spinning pop rivets in their holes until you die of old age.

**BELT SANDER:** An electric sanding tool commonly used to convert minor touch-up jobs into major refinishing jobs.

## 73 Berridge ZS6BFL

Chairman:	Doug Wetton	ZS6BXU	011-680-4906
Vice Chairman	Frank van Wensveen	ZS6TMV	011-942-3657
Secretary / Treasurer:	Berridge Emmett	ZS6BFL	011-893-1291
Repeater/Packet Radio/Technical	Ton Van Dijk	ZS6ANA	011-942-3657
Shacknews Editor:	Berridge Emmett	ZS6BFL	011-893-1291
Shacknews-Print & Posting:	Harry Lautenbach	ZS6LT	011-888-5362
Website Manager	Yvonne Van Dijk	ZR6TBL	011-942-3657
QSL Manager:	Vacant		

**HIGHVELD AMATEUR RADIO CLUB**

Membership database update form

NAME \_\_\_\_\_ CALL SIGN \_\_\_\_\_

ADDRESS - RES \_\_\_\_\_ TELEPHONE (011) \_\_\_\_\_

\_\_\_\_\_ FAX (011) \_\_\_\_\_

\_\_\_\_\_ CODE \_\_\_\_\_

\_\_\_\_\_ CELL \_\_\_\_\_

ADDRES - POSTAL \_\_\_\_\_

\_\_\_\_\_ E-MAIL \_\_\_\_\_

\_\_\_\_\_ CODE \_\_\_\_\_

**RADIO INTERESTS**

	Yes	No
VOICE		

CW		
----	--	--

HF		
----	--	--

2M		
----	--	--

70cm		
------	--	--

PROJECTS		
----------	--	--

ANTENNA DESIGN		
----------------	--	--

ANTIQUE RADIO		
---------------	--	--

PACKET RADIO		
--------------	--	--

SATELLITE		
-----------	--	--

COMPUTERS		
-----------	--	--

DIGITAL MODES		
---------------	--	--

SSTV		
------	--	--

OTHER HOBBIES or INTERESTS \_\_\_\_\_

\_\_\_\_\_

\_\_\_\_\_

\_\_\_\_\_

Info required to update the club database which was kept by Reg ZS6ALH

7 Jan 2007	Gene - (Berridge)	6 May 2007	Doug
14 Jan 2007	Berridge	13 May 2007	Yvonne
21 Jan 2007	Doug	20 May 2007	Gene
28 Jan 2007	Yvonne	27 May 2007	Berridge
4 Feb 2007	Gene	3 Jun 2007	Doug
11 Feb 2007	Berridge	10 Jun 2007	Yvonne
18 Feb 2007	Doug (Marianne)	17 Jun 2007	Gene
25 Feb 2007	Yvonne	24 Jun 2007	Berridge
4 Mar 2007	Gene	1 Jul 2007	Doug
11 Mar 2007	Berridge	8 Jul 2007	Yvonne
18 Mar 2007	Doug (Marianne)	15 Jul 2007	Gene
25 Mar 2007	Yvonne	22 Jul 2007	Berridge
1 Apr 2007	Gene	29 Jul 2007	Doug
8 Apr 2007	Berridge	5 Aug 2007	Yvonne
15 Apr 2007	Yvonne	12 Aug 2007	Gene
22 Apr 2007	Gene	19 Aug 2007	Berridge
29 Apr 2007	Berridge	26 Aug 2007	Doug