



# HIGHVELD AMATEUR RADIO CLUB

## SHACKNEWS

PO Box 19937 Sunward Park 1470

OCTOBER 2006

Website <http://www.qsl.net/zs6hvb/>  
<http://www.qsl.net/zs6ssc/>

e-mail [zs6hvbinfo@zs6ro.co.za](mailto:zs6hvbinfo@zs6ro.co.za)

Sunday morning BULLETINS - 145.7875 MHz & 7062 KHz @ ±08h45.

### COMMUNICATION IS THE NAME OF THE GAME

**Monthly Meeting** A very interesting talk was given by Frank, ZS6TMV, on SPAM and how to control/eliminate it. Programs like Mail Washer for example can assist in this matter. Also discussed were computer viruses and how they enter your PC and what damage they can do. Remember to keep you antivirus program up-to-date. At the next meeting to be held on 4<sup>th</sup> November, Frank ZS6EIN will be giving a talk on amateur satellites and how to use them.

If you have any ideas on issues to be discussed and possibly demonstrated then please contact a committee member or the email address above. Yes – it is a new one.

It is planned to hold the end-of-year function at the QTH of Rex, ZS6REX, on Sunday 3<sup>rd</sup> December.

**SSC** The meeting was held at the QTH of Ton and Yvonne, ZS6ANA & ZR6TBL respectfully. A good turn out of members was present. The next meeting will be held at the QTH of Doug ZS6BXU on Saturday 11<sup>th</sup> November

---oooOOOooo---

### Mid life crises

Well, it's not a mid-life crisis, but here's how things worked out for me.

Married 25 years, took a look at my wife one day and said, "Honey, 25 years ago, we had a cheap apartment, a cheap car, slept on a sofa bed and watched a 10 inch black and white TV, but I got to sleep every night with a hot 25 year old blond.

Now, we have a nice house, nice car, big bed and plasma screen TV, but I'm sleeping with a 50 year old woman. It seems to me that you are not holding up your side of things."

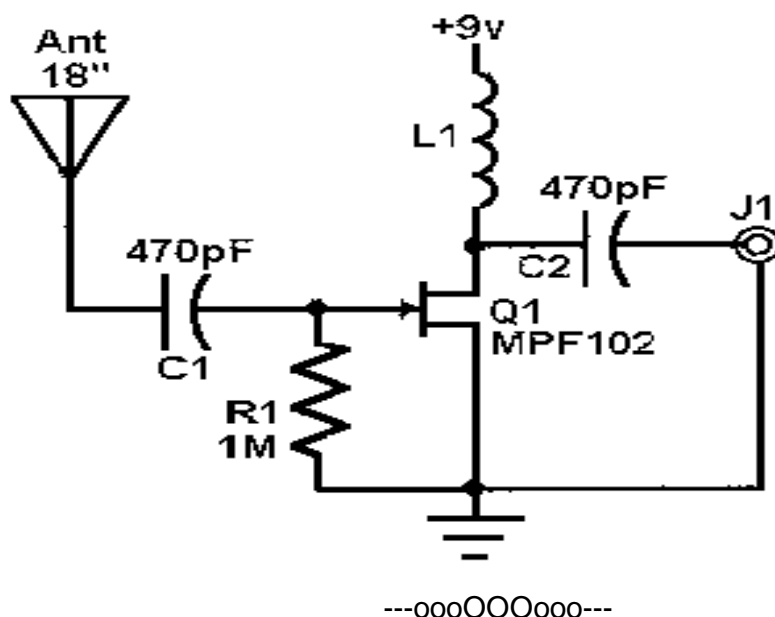
My wife is a very reasonable woman.

She told me to go out and find a hot 25 year old blond, and she would make sure that I would once again be living in a cheap apartment, driving a cheap car, sleeping on a sofa bed....

Chairman:	Doug Wetton	ZS6BXU	011-680-4906
Vice Chairman	Frank van Wensveen	ZS6TMV	011-942-3657
Secretary / Treasurer:	Berridge Emmett	ZS6BFL	011-893-1291
Repeater/Packet Radio/Technical	Ton Van Dijk	ZS6ANA	011-942-3657
Shacknews Editor:	Berridge Emmett	ZS6BFL	011-893-1291
Shacknews-Print & Posting:	Harry Lautenbach	ZS6LT	011-888-5362
Website Manager	Yvonne Van Dijk	ZR6TBL	011-942-3657
QSL Manager:	Reg Hartsliet	ZS6ALH	011-902-1432

## An Active Antenna

This circuit shows an active antenna that can be used for AM, FM, and shortwave (SW). On the shortwave band this active antenna is comparable to a 20 to 30 foot wire antenna. This circuit is designed for use on receivers that use untuned wire antennas, such as inexpensive units and car radios. L1 can be selected for the application. A 470uH coil works on lower frequencies (AM). For shortwave, try a 20uH coil. A 9-volt battery can power the unit. If a power supply is used, bypass the power supply with a .04uF capacitor to prevent noise pickup. The antenna used on this circuit is a standard 18" telescoping type. Output is taken from jack J1 and run to the input on the receiver.



Three Feelings:

What's the difference between stress, tension and panic?

Stress is when wife is pregnant,

Tension is when girlfriend is pregnant and

Panic is when both are pregnant.

T-  
Shirt  
logos



Chairman:  
Vice Chairman  
Secretary / Treasurer:  
Repeater/Packet Radio/Technical  
Shacknews Editor:  
Shacknews-Print & Posting:  
Website Manager  
QSL Manager:

Doug Wetton  
Frank van Wensveen  
Berridge Emmett  
Ton Van Dijk  
Berridge Emmett  
Harry Lautenbach  
Yvonne Van Dijk  
Reg Hartsliet

ZS6BXU  
ZS6TMV  
ZS6BFL  
ZS6ANA  
ZS6BFL  
ZS6LT  
ZR6TBL  
ZS6ALH

011-680-4906  
011-942-3657  
011-893-1291  
011-942-3657  
011-893-1291  
011-888-5362  
011-942-3657  
011-902-1432

## Living in Gauteng

Jack was sitting in an aeroplane when another guy took the seat beside him. The new guy was a wreck, pale, hands shaking, moaning in fear.

"Hey what's the matter?" Jack asked.

"Oh man. I've been transferred to Gauteng," the other guy answered.  
 "There's crazy people in Gauteng. They have shootings, gangs, riots, drugs, the highest crime rate."

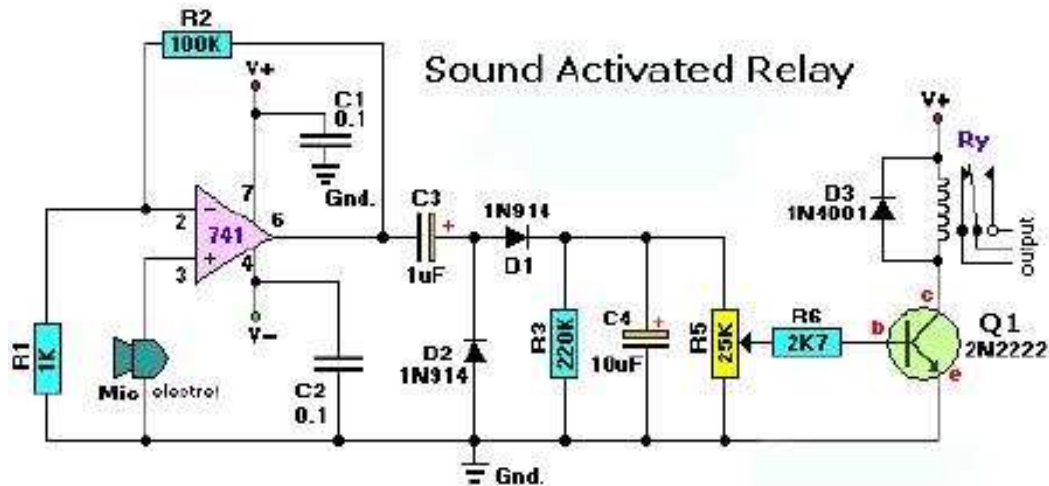
"Hold on," Jack interrupted. "I've lived in Gauteng all my life. It is not as bad as the media says. Find a nice home, go to work, mind your own business, enrol your kids in a good school and it's as safe as anywhere in the world."

The other passenger relaxed and stopped shaking for a moment and said, "Oh, thank you. I've been worried to death. But if you live there and say it's OK, I'll take your word for it. What do you do for a living?"

"Me?" said Jack. "I'm a tail gunner on a Coca-Cola truck in Johannesburg."

---oooOOOooo---

Useful circuit found on the www



Sorry - no description

---oooOOOooo---

Chairman:	Doug Wetton	ZS6BXU	011-680-4906
Vice Chairman	Frank van Wensveen	ZS6TMV	011-942-3657
Secretary / Treasurer:	Berridge Emmett	ZS6BFL	011-893-1291
Repeater/Packet Radio/Technical	Ton Van Dijk	ZS6ANA	011-942-3657
Shacknews Editor:	Berridge Emmett	ZS6BFL	011-893-1291
Shacknews-Print & Posting:	Harry Lautenbach	ZS6LT	011-888-5362
Website Manager	Yvonne Van Dijk	ZR6TBL	011-942-3657
QSL Manager:	Reg Hartsliet	ZS6ALH	011-902-1432

Mobile station – Steve Hicks N5AC



73 Berridge

Chairman:	Doug Wetton	ZS6BXU	011-680-4906
Vice Chairman	Frank van Wensveen	ZS6TMV	011-942-3657
Secretary / Treasurer:	Berridge Emmett	ZS6BFL	011-893-1291
Repeater/Packet Radio/Technical	Ton Van Dijk	ZS6ANA	011-942-3657
Shacknews Editor:	Berridge Emmett	ZS6BFL	011-893-1291
Shacknews-Print & Posting:	Harry Lautenbach	ZS6LT	011-888-5362
Website Manager	Yvonne Van Dijk	ZR6TBL	011-942-3657
QSL Manager:	Reg Hartsliet	ZS6ALH	011-902-1432