

SHACKNEWS

HIGHVELD AMATEUR RADIO CLUB

PO Box 1111, Bedfordview, 2008

April 2004

e-mail zs6bfl@telkomsa.net

COMMITTEE



Office		Call sign	Telephone number
Chairman:	Rex Pattison	ZS6REX	011-948-9533
Secretary / Treasurer:	Berridge Emmett	ZS6BFL	011-893-1291
Repeater/Packet Radio/Technical	Ton Van Dijk	ZS6ANA	011-683-2424
Shacknews Editor:	Berridge Emmett	ZS6BFL	011-893-1291
Shacknews-Print & Posting:	Harry Lautenbach	ZS6LT	011-888-5362
Website manager	Yvonne Van Dijk	ZR6TBL	082-623-3704
QSL Manger:	Reg Hartslief	ZS6ALH	011-902-1432

Sunday morning BULLETINS - 145.7875 MHz & 7062 KHz @ $\pm 08h45$.

COMMUNICATION IS THE NAME OF THE GAME

Meeting Due to the SARL AGM the meeting was postponed until the following Saturday afternoon and combined with the Southern Suburbs Radio Club. The combined meeting had an excellent turnout. Feedback from the AGM was given by ZS6BFL.

DECISIONS TAKEN AT THE AGM (from the SARL Sunday bulletin 2004-04-03)

In light of the fact that no one had received the notice of the AGM and other documents via the postal system, the meeting first discussed the status of this meeting. There were 56 members present in person, and a further 197 proxies were held by members present. The meeting therefore reflected just under 25% of the current membership. All members present had received the notices via email, and members reported that clubs had also distributed the documents amongst their members.

It was agreed by the meeting that the AGM should continue, and that the incoming Council should negotiate with any parties who may object, and conduct a subsequent ratification exercise amongst all members should this appear to be

necessary.

The subscriptions for 2004-2005 were agreed to be as follows:

Ordinary member R 290 pa
Senior member R 230 pa
Family member R 100 pa
Affiliated club R 290 pa
Foreign member R 350 pa

The subscription fee will include four issues of Radio ZS in printed form, as well as membership of the QSL bureau. There will therefore be no optional items as previously proposed.

In order to reduce the cost of running the QSL bureau, all users will be required to provide stamped, self-addressed envelopes to be used for incoming QSL cards. Outgoing QSL cards will be limited to 1000 cards pa as at present.

The formal motions were agreed as follows:

Motion 1: Withdrawn

Motion 2: Carried

Motion 3:

Part 1: Withdrawn

Part 2: Withdrawn

Part 3: Withdrawn

In regard to the last point, the meeting requested Council to examine the Constitution and Rules of the SARL, and to propose amendments to take into account the internet and email and opportunities for streamlining SARL formal procedures in the future.

Discussion point 1: Withdrawn

Discussion point 2: Withdrawn after clarification.

End

As mentioned in the last SARL bulletin of 2004-04-11 a new council has been elected and positions filled. All that we must do now is support them in the way ahead.

.....
New car hijacking method

Imagine: You walk across the parking lot, unlock your car and get inside. Then you lock all your doors, start the engine and shift into REVERSE. Habit! You look into the rear-view window to back out of your parking space and you notice a piece of paper, some sort of advertisement stuck to your rear window. So, you shift into PARK/NEUTRAL, unlock your doors and jump out of your vehicle to remove that paper (or whatever it is) that is obstructing your view... when you reach the back of your car, that is when the hijackers jump out of nowhere ... jump into your car and take off -- your engine was running, your purse/cellphone/wallet is in the car, and they practically mow you down as they speed off in your car.

BE AWARE OF THIS NEW SCHEME Just drive away and remove the paper that is stuck to your window later.

----***----

Useful web site:- http://www.arrakis.es/~zoom_inf/paginas.web.html Drivers for Africa

Brainteaser from previous issue solution

The lights are on during the 17th and 18th seconds

New brain teaser

Today Anna is 18. The day before yesterday she was 17. However, next year she will be 20. She is not born on February 29 and is aged in human years. She does not age at a different pace from anyone else.

How can this be?

Swap Shop

John Otto, ZS5/6JWO has the following items to dispose of. Due to deteriorating health he is unable to continue the hobby.

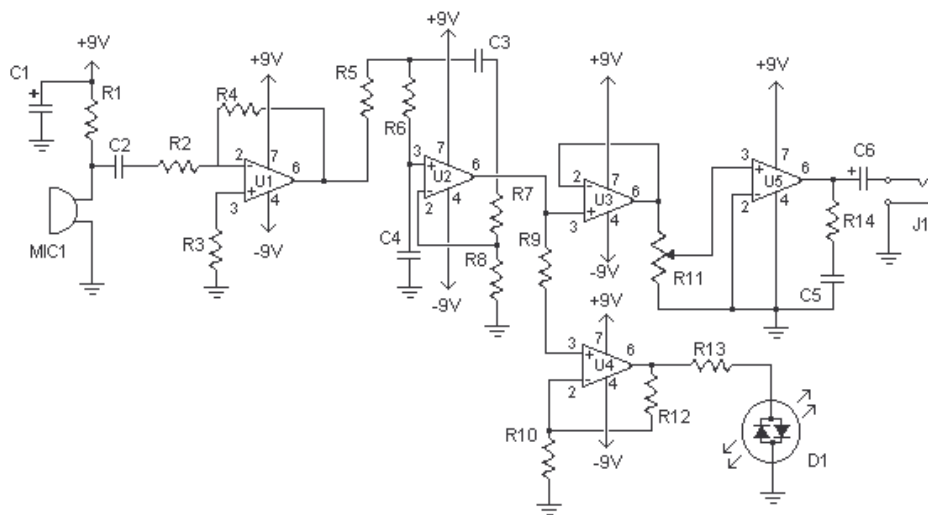
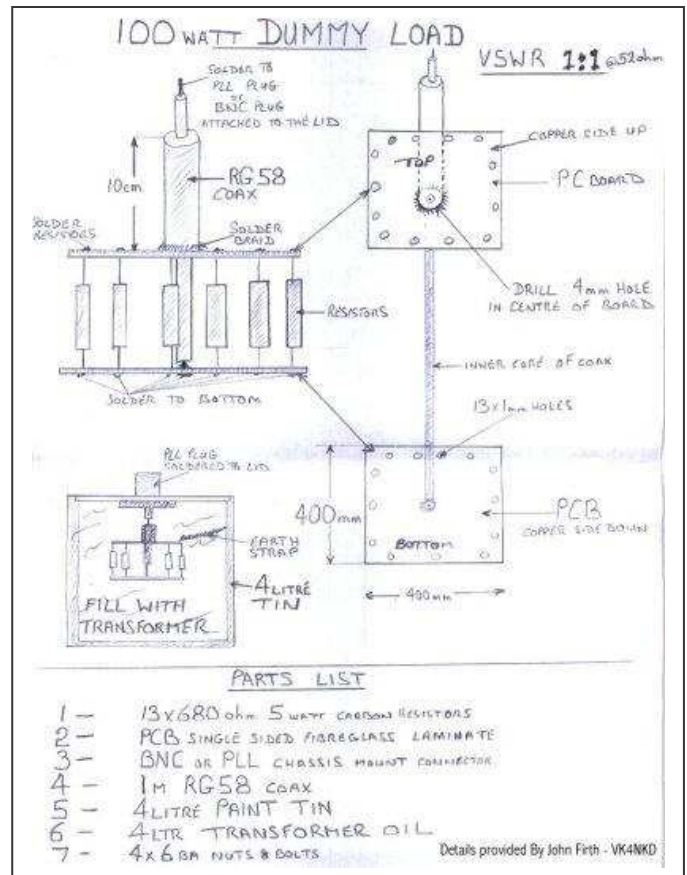
- 1- Kyoritsu Multimeter Model 1105.
- 2- Tedelex 113.8 volt PSU @ 10amp.
- 3- Bantam PX 2M transceiver 45 Watt, 19 channel programmable with software and connecting cable including spare finals and microphones.
- 4- Extension speaker.
- 5- CW key ex Post Office.
- 6- Patchbox with cords and fittings.
- 7- Kenwood Low pass filter 1KW PEP.
- 8- Yaesu FT 101E HF Tranceiver.
- 9- Yaesu YD148 desk mic.
- 10- 5/8 2M vertical.
- 11- 30 meters RG213 coax.
- 12- G5RV 1/2 size antenna.
- 13- Roll of copper wire for constructing HF antenna.

Please contact Patricia on 083-422-1335 for further details and negotiations.

....***....



Don't drink and drive



An electronic stethoscope

Stethoscopes are not only useful for doctors, but home mechanics, exterminators, spying and any number of other uses. Standard stethoscopes provide no amplification which limits their use. This circuit uses op-amps to

greatly amplify a standard stethoscope, and includes a low pass filter to remove background noise.

Part	Total Qty.	Description
R1	1	10K 1/4W Resistor
R2, R3, R9	3	2.2K 1/4W Resistor
R4	1	47K 1/4W Resistor
R5, R6, R7	3	33K 1/4W Resistor
R8	1	56K 1/4W Resistor
R10	1	4.7K 1/4W Resistor
R11	1	2.5K Pot
R12	1	330K 1/4W Resistor
R13	1	1K 1/4W Resistor
R14	1	3.9 Ohm 1/4W Resistor
C1	1	470uF Electrolytic Capacitor
C2, C3, C4	3	0.047uF Capacitor
C5	1	0.1uF Capacitor
C6	1	1000uF Electrolytic Capacitor
D1	1	Bi-Colour LED
U1, U2, U3, U4, U5	5	741 Op-Amp
MIC1	1	Electret Mic
J1	1	1/4" Phone Jack
MISC	1	Board, Wire, Sockets for ICs, Knob for pot, Stethoscope, Rubber tube

1. Be careful with the volume, as excess noise level may damage your ears.
3. The + and - 9V may be supplied by two 9V batteries wired in series and tapped at the junction.
4. R11 is the volume control.