



ZS6HVB

Affiliated to the  
SARL

# SHACKNEWS

## HIGHVELD AMATEUR RADIO CLUB

Second Quarter 2016

We're on



### COMMUNICATION IS THE NAME OF THE GAME

The June meeting, which is a HARC Social event, will take place at Rex's home on Saturday, 18 June.

This will take the form of a **bring and braai** starting at 12:00. Bring your own chairs as well just in case.

All welcome. If you don't know where Rex lives let me know

---

#### Uses for Silica Gel

Those little packets found in medicine containers and new shoes etc.

#### Create a dry travel bag

This one's for the road warriors. Toss a few packets of silica into a Ziplock bag to make an instant travel gadget bag, with enough water-fighting ability to withstand accidental luggage spills.

#### Fight camera condensation

If you're taking your camera out into the cold, it can face serious condensation when you bring it back into a warm room. Remove the battery and memory card, and place the camera in a bowl of silica gel to suck up the moisture.

#### Extend the life of razor blades

"It is understood that oxidation on razor blades causes premature dulling. I keep a Tupperware half full of silica gel in my medicine cabinet. After each shave, I blot any residual water off the blade and store the razor in the Tupperware with the silica gel."

#### Dry out a wet cell phone

This one's an old favourite. If your phone becomes the unfortunate victim of a spill or swim, you can still rescue it—you just need to act fast. Remove the battery and any memory cards from the phone, then toss it in a bowl filled with silica gel packets (dry rice will work, too, in a pinch).

Leave it there for a couple of days before powering it on again.

---

## Protect silver from tarnish

Tarnish is a layer of corrosion that appears on silver following a reaction between it and chemicals in the air. Humidity hastens the process that turns your favourite pieces slowly from shiny to black. It's suggested that you keep silver wrapped up with a silica gel packet to absorb any air moisture.

## Lose the musty smell of old books

While a lot of people might love the musty smell of an old tome, some find it a turn-off. Damp is the main cause of that distinctive old smell. Simply pop your book into a bag with a few packets of silica gel and let them work their magic.



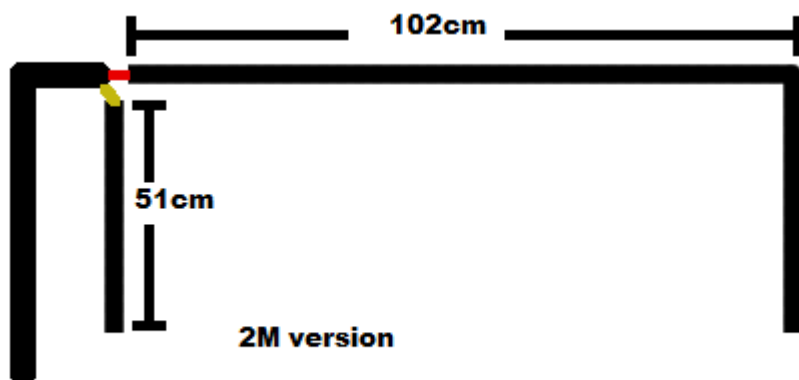
## A Half square antenna for 144Mhz / 2M and how to make one for any band

Love this antenna, not just because its useful but its so simple to make. The theory behind it is simple as well. Two vertical pieces that are 1/4 wavelength and the top portion is a 1/2 wavelength. The top portion is connected to one vertical piece and is where the centre conductor is connected to it and the braid/shield is connected to the other vertical portion.

The dimensions for 2m is 51cm for the vertical pieces and 102cm for the top. The perfect antenna to have hidden behind drapes or a blind in case you need to go stealth in your operations. If you have enough wire and height to mount it you can make one for any band.

Notes:: Leave the longest piece a couple of cm's longer than described and cut back the end until you have a low swr. Below is a picture and diagram to go by. Can be mounted above a cupboard door in the shack to hit the local repeaters.

Dimensions for a 70cm one is 16.5cm on each leg and the top piece 33cm again like the 2m antenna trimmed for best results. When trimming this one its best to do it in very small increments.

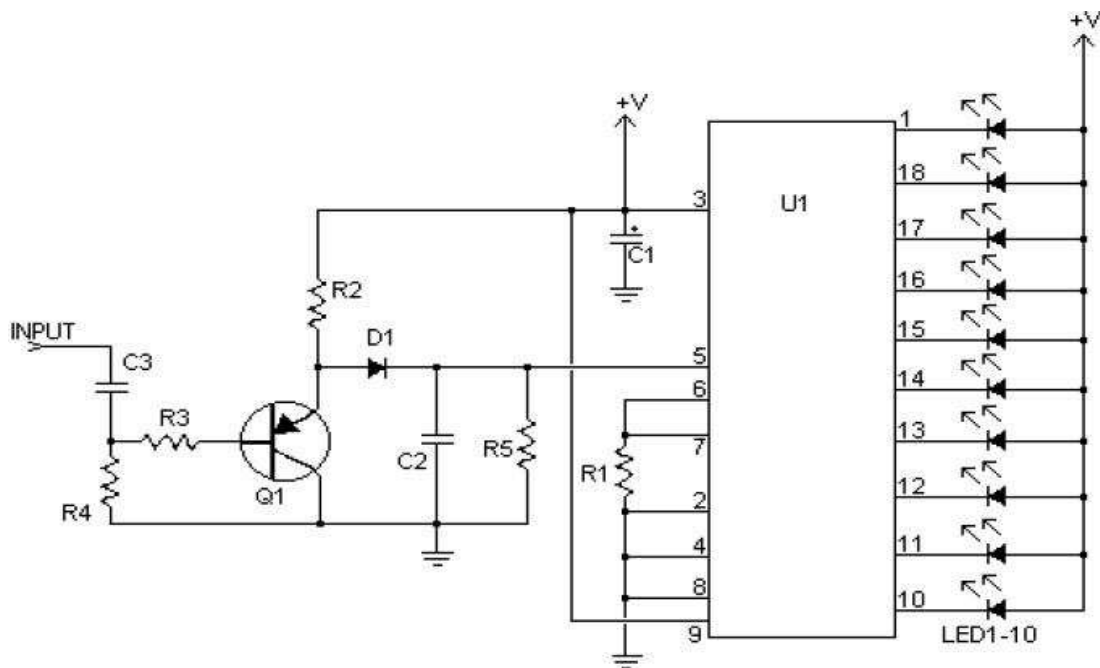


To Radio



## A solid state VU meter

This nifty sound level meter is a perfect one chip replacement for the standard analog meters. It is completely solid state and will never wear out. The whole circuit is based on the LM3915 audio level IC and uses only a few external components. This circuit can also be integrated into audio amp projects.



### Parts List

- C1 2.2uF 25V Electrolytic Capacitor
- C2, C3 0.1uF Ceramic Disc Capacitor
- R1, R3 1K 1/4W Resistor
- R2 10K 1/4W Resistor
- R4 100K 1/4 W Resistor
- R5 1M 1/4W Resistor
- D1 1N914 Silicon Diode
- Q1 2N3906 PNP Transistor
- LED1-LED10 10 Standard LED or LED Array
- U1 LM3915 Audio Level IC
- MISC Board, Wire, Socket For U1

### Notes

- 1- V+ can be anywhere 1. from 3V to 20V. The input is designed for standard audio line voltage (1V P-P) and has a maximum input voltage of 1.3V.
- 2- Pin 9 can be disconnected from +V to make the circuit use a moving dot display instead of a bar graph display.



Johnny DuPlessis ZS6EH (SK)    Doug Wetton ZS6BXU    Johnny Bekker ZS6RG (SK)

Taken at Johnny Dup's shack circa ?    "Hunting Lions in the Air"

### Club Information

**Postal address** PO Box 19937 Sunward Park 1470

**Website** <http://www.zs6hvb.za.net>

**Back Issues of Shacknews available on the club website**

**e-mail** [zs6hvb@zs6hvb.za.net](mailto:zs6hvb@zs6hvb.za.net)

**Repeater** 145.1875 MHz input - 145.7875 MHz output

**Bulletins** Sunday morning - 145.7875 MHz & 7162 KHz @ 08h45.

#### Monthly meeting venue

To be decided

*3rd Saturday of the month at 14:30*

#### Committee

Chairman	Vacant		
Secretary/Treasurer	Berridge Emmett	ZS6BFL	011-893-1291
Shacknews Editor	Berridge Emmett	ZS6BFL	011-893-1291
Shacknews Printing	Harry Lautenbach	ZS6LT	011-888-5362