



SHACKNEWS

HIGHVELD AMATEUR RADIO CLUB

SEPTEMBER 2011

COMMUNICATION IS THE NAME OF THE GAME

Meeting There was no meeting this month. The next meeting will be held on the 15 October. Frank, ZS6TMV, will give a talk on home brewing.....Beer of course.

ZS6SSC Social Club There was not a large turn out at this month's meeting. But those that were present enjoyed good company and plenty of eats. Thanks to Rex, Ingrid and Giesela.

---oooOOOooo---

Things You Can Do With Toothpaste

- 1-Removes stain from cloth. To take out all kinds of stain like ink or lipstick. Squeeze some on the spot, scrub and rinse.
- 2-Even out scratches on CD / DVD. If the screen freezes, take out the disc, put some toothpaste on it, scrub and clean it off.
- 3-Cleans diamond ring. Just squeeze a little on a used toothbrush, wet the ring, scrub gently, rinse and your diamond ring should be look sparkling new.
- 4-Cleans silver. Toothpaste can be used to polish any kind of silver. It really does bring out the shine in silverware.
- 5-Placate burns. Right after you get burnt, put it on. It helps to relieve the sting.
- 6-Removes crayon from painted walls. Rub the marks with the toothpaste and a damp rag. Wipe with water to get rid of residue.
- 7-Remove carpet stains. Squeeze some onto the carpet, scrub, rinse and let it dry.
- 8-Relieves insect bites. Spread a little over either of these and you'll feel soothed and no itches. Mosquito, flea and ant bites work especially well.
- 9-Keep girl babies' bows in their hair. If they don't have much hair this is particularly useful. It doesn't pull it out, it just washes out.
- 10-Clean your nails. Teeth and nails are made of the same material. To clean your nails, squeeze some on top of a toothbrush, wet your nails and brush them thoroughly. Be amazed by the sparkle.

It would be wise not to mix up your toothbrushes here.

Why Do I Like Retirement

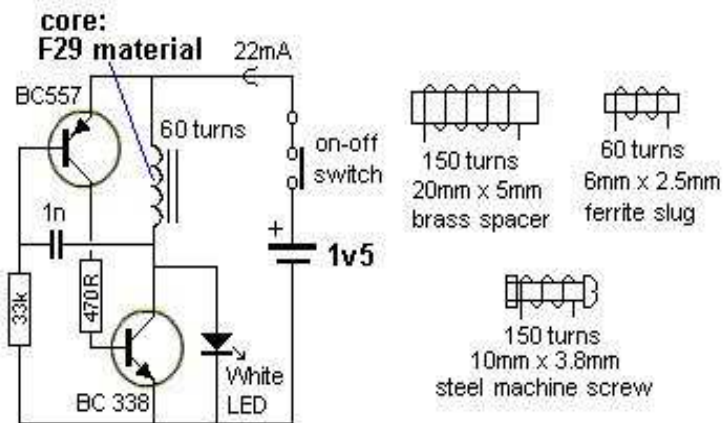
Question: How many days in a week? Answer: 6 Saturdays, 1 Sunday

Question: When is a retiree's bedtime? Answer: Three hours after he falls asleep on the couch.

Question: How many retirees to change a light bulb? Answer: Only one, but it might take all day.

Question: What's the biggest gripe of retirees? Answer: There is not enough time to get everything done.

1.5 LED light



This circuit will drive a super-bright white LED from a 1.5v cell.

The 60 turn inductor is wound on a small ferrite slug 2.6mm dia and 6mm long with 0.25mm wire. This circuit makes use of a single winding and the feedback to produce oscillation comes from a 1n capacitor driving a high gain amplifier made up of two transistors.

The feedback is actually positive feedback via the 1n and this turns on the two transistors more and more until finally they are fully turned on and no more feedback signal is passed through the 1n. At this point they start to turn off and the signal through the 1n turns them off more and more until they are fully turned off.

The 33k turns on the BC557 to start the cycle again.

If you do not have a ferrite slug, the inductor can be made using machine screw 10mm long and about 3-4mm dia. Windings are made of 0.25mm wire. Or you can use a brass ferrule 20mm by 5mm. Wind 150 turns.

RESULTS for the same brightness:

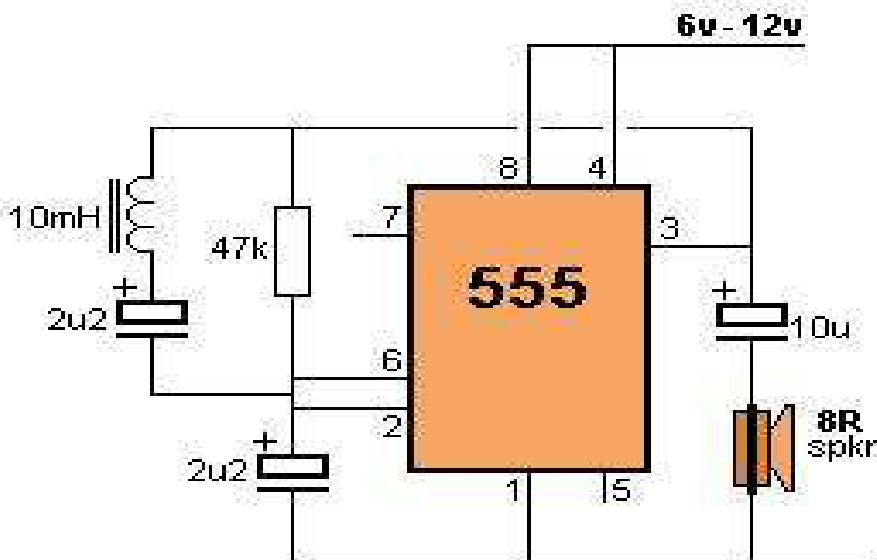
Slug: 21mA

Brass Spacer: 18mA

Machine screw: 14mA

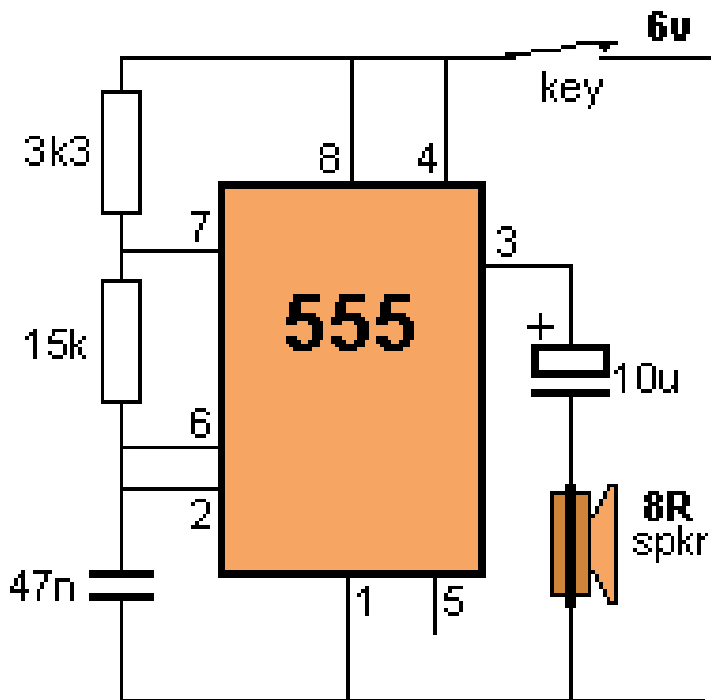
---oooOOOooo---

A simple metal detector



This circuit detects metal and also magnets. When a magnet is brought close to the 10mH choke, the output frequency changes.

For those who would like to try their hand at Morse code



MORSE KEYER

Morse Code:

A ..	E .	I ..	M _ _	Q _ _ _ _	U . . .	Y _ _ _ _
B _ _ _ _	F	J . _ _ _	N _ .	R . . .	V	Z _ _ _ .
C _ _ . .	G _ _ . .	K . _ .	O _ _ _	S . . .	W . _ .	
D _ . .	H	L	P . _ . .	T _	X _ . . .	

International Phonetic Alphabet:

A lva	E cho	I ndia	M ike	Q uebec	U niform	Y ankee
B ravo	F oxtrot	J uliet	N ovember	R omeo	V ictor	Z ulu
C harley	G olf	K ilo	O scar	S ierra	W iskey	
D elta	H otel	L ima	P apa	T ango	X ray	

---oooOOOooo---

INTERESTING STUFF

Many years ago in Scotland, a game was invented. It was ruled "Gentleman Only ... Ladies Forbidden." and so the word GOLF entered the language.

Intelligent people have more zinc and copper in their hair. (mine is more valuable-its silver Ed.)

$111,111,111 \times 111,111,111 = 12,345,678,987,654,321$

In Shakespeare's time, mattresses were secured on the bed frames by ropes. When you pulled on the ropes the mattress tightened, making the bed firmer to sleep on. Hence the phrase: "Good night, sleep tight."



Good use for the left over tube from toilet rolls.

Works like a dream

CLUB INFORMATION

Postal address PO Box 19937 Sunward Park 1470

Website <http://www.zs6hvb.za.net>

Back Issues of Shacknews available on the club website

e-mail zs6hvb@zs6hvb.za.net

Repeater 145.1875 MHz input - 145.7875 MHz output

Linked to 70 cm - 438.850 Mhz (Sunday bulletins)

Bulletins Sunday morning - 145.7875 MHz & 7062 KHz @ 08h45.
Relay - 80M - 3662KHz

Monthly meeting venue

Germiston Methodist Church
Room at back of the offices
Lady Duncan Rd
Germiston

3rd Saturday of the month at 14:30

Committee

Chairman	Ton van Dijk	ZS6ANA	011-432-5494
Secretary/Treasurer	Berridge Emmett	ZS6BFL	011-893-1291
Repeater	Ton van Dijk	ZS6ANA	011-432-5494
Shacknews Editor	Berridge Emmett	ZS6BFL	011-893-1291
Shacknews Printing	Harry Lautenbach	ZS6LT	011-888-5362
Webmaster	Yvonne van Dijk	ZR6TBL	011-432-5494
Assistant Webmaster	Marianne Treyvellan	ZR6JMT	079-519-8808

Club bank details

First National Bank - Current Account 62116557309. Branch Code for EFT 250655
Branch Code 201209 - Sunward Park