



HIGHVELD AMATEUR RADIO CLUB

SHACKNEWS

PO Box 19937 Sunward Park 1470 JUNE 2007

Website <http://www.qsl.net/zs6hvb/> e-mail zs6hvbinfo@zs6ro.co.za
<http://www.qsl.net/zs6ssc/>

Sunday morning BULLETINS - 145.7875 MHz & 7062 KHz @ ±08h45.

COMMUNICATION IS THE NAME OF THE GAME

Meeting At the meeting held on Saturday 2nd June we had a visit from Jaap Lourens ZS6SAI. Jaap is an interference investigator from Sentech. He gave an enlightening talk on the operations of Sentech and how he fits into their operation. Most interesting was the mortuary fridge that interfered with the TV reception at a block of flats. Never a dull moment hi. The meeting ended with plenty to eat and drink. At the next meeting OM Frank, ZS6TMV, will be giving a talk on the Magnetic Loop Antenna with a demo unit.

SSC Meeting This was held at the home of Errol and Betty. Nice social turnout amateurs and their wives. Thanks to Errol and Betty for the catering and all the others who brought eats along. Certainly did not need supper that evening. The next get together will be held at the home of Doug and Merle on 14th July.

—00000000—

A 60-year-old man went to a doctor for a check-up. The doctor told him, "You're in terrific shape. There's nothing wrong with you. Why, you might live forever; you have the body of a 35-year-old. By the way, how old was your father when he died?"

The 60-year-old responded, "Did I say he was dead?"

The doctor was surprised and asked, "How old is he and is he very active?"

The 60-year-old responded, "Well, he is 82 years old and he still goes skiing three times a season and surfing three times a week during the summer."

The doctor couldn't believe it. So, he asked, "Well, how old was your grandfather when he died?"

The 60-year-old responded again, "Did I say he was dead?"

The doctor was astonished. He said, "You mean to tell me you are 60 years old and both your father and your grandfather are alive? Is your grandfather very active?"

The 60-year-old said, "He goes skiing at least once a season and surfing once a week during the summer. Not only that," said the patient, "my grandfather is 106 years old, and next week he is getting married again."

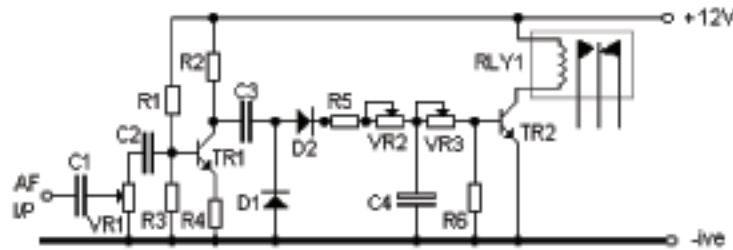
Chairman:	Doug Wetton	ZS6BXU	011-680-4906
Vice Chairman	Frank van Wensveen	ZS6TMV	011-942-3657
Secretary / Treasurer:	Berridge Emmett	ZS6BFL	011-893-1291
Repeater/Packet Radio/Technical	Ton Van Dijk	ZS6ANA	011-942-3657
Shacknews Editor:	Berridge Emmett	ZS6BFL	011-893-1291
Shacknews-Print & Posting:	Harry Lautenbach	ZS6LT	011-888-5362
Website Manager	Yvonne Van Dijk	ZR6TBL	011-942-3657
QSL Manager:	Vacant		

The doctor said, "At 106-years, why on earth would your grandfather want to get married?"

His patient looked up at the doctor and said, "Did I say he wanted to?"

—00000000—

VOX operated switch for a PTT or tape recorder



Vox Operated Switch Unit

VR1 = AF Gain

VR2 = Activation delay

VR3 = latched delay

R1=1M C1=0.01 TR1=BC546

R2=4.7K C2=0.01 TR2=BC546

R3=220K C3=0.01 D1=1N4148

R4=1.2K C4=47uF D2=1N4148

R5=1.2K VR1=470K

R6=100K VR2=100K

VR3=100K

—00000000—

AAADD

That's Age-Activated Attention Deficit Disorder to you, and here's how it goes ...

I decide to wash the car and start toward the garage, when I notice the mail on the table. I figure I might as well go through the mail before washing the car.

I lay my keys down on the desk, sort the mail and discard the junk mail. As I discard the junk mail, I see that the garbage can is full.

I lay the bills down on the desk and pick up the trashcan. Then I figure that since I'll be going near the mailbox while taking out the trash, I may as well pay these few bills first. Now where did I put my checkbook?

Ah, here it is! Oops, there's only one check left. My extra checks are in the other room.

Oh! There's the soda I was drinking earlier! Hmmm, I guess I'd better take it out to the kitchen and discard it.

On the way to the kitchen, my flower arrangement catches my eye and I realize it

Chairman:	Doug Wetton	ZS6BXU	011-880-4906
Vice Chairman	Frank van Wensveen	ZS6TMV	011-942-3657
Secretary / Treasurer:	Berridge Emmett	ZS6BFL	011-893-1291
Repeater/Packet Radio/Technical	Ton Van Dijk	ZS6ANA	011-942-3657
Shacknews Editor:	Berridge Emmett	ZS6BFL	011-893-1291
Shacknews-Print & Posting:	Harry Lautenbach	ZS6LT	011-888-5362
Website Manager	Yvonne Van Dijk	ZR6TBL	011-942-3657
QSL Manager:	Vacant		

needs more water. I pour the soda down the sink.
 As I wipe a spot off the counter I see my glasses on the windowsill. It's about time. I've been looking for them all morning!
 I guess I'd better go put them away so I can find them again later. But first I've got to add water to the flower arrangement...
 Hey! What's the TV remote doing in the kitchen? Aaaaaaagh! I'd better take it to the living room, because we'll never think to look for it in the kitchen tonight.
 I take the remote out to the coffee table and find that the living room is a bit untidy, so I go around arranging cushions and throw pillows.
 Then I'm off down the hall, to... to... what the heck was I planning to do?
 End of day: The car isn't washed, the bills are unpaid, the flowers aren't watered, the checkbook still only has one check, and now I can't seem to find my car keys! I don't seem to have gotten anything done today, but I just can't figure out why because I KNOW I WAS BUSY ALL DAY LONG!!!
 I realize this is a serious condition and that I'd better seek help. But first, I think I'll check my e-mail.

Thanks to whoever is the author of this article on AAADD

---oooOOOooo---

WALKIIE-TALKIE weighing in at 12.5 Kg (QST January 1949)

SCR-195 WALKIE-TALKIES

SCR 195 Walkie Talkies, brand new, weight 27½ pounds, including knapsack. Range up to 25 miles in open country. Frequency 52.8 to 65.8 MC. Transmitter and receiver with regular hand set. Complete ready to operate with spare parts.



\$59.95
 Price per set of 2
\$115

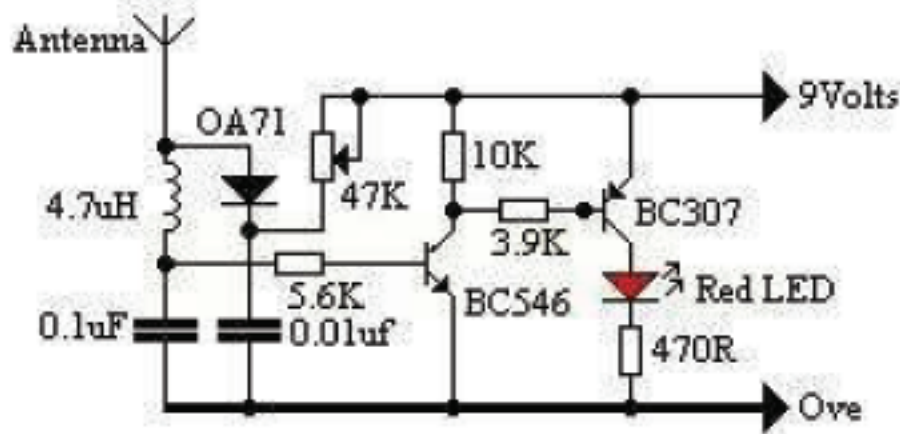
Equals 5 x 2.5 Kg bags of flour

Chairman:	Doug Wetton	ZS6BXU	011-680-4908
Vice Chairman	Frank van Wensveen	ZS6TMV	011-942-3657
Secretary / Treasurer:	Berridge Emmett	ZS6BFL	011-893-1291
Repeater/Packet Radio/Technical	Ton Van Dijk	ZS6ANA	011-942-3657
Shacknews Editor:	Berridge Emmett	ZS6BFL	011-893-1291
Shacknews-Print & Posting:	Harry Lautenbach	ZS6LT	011-888-5362
Website Manager	Yvonne Van Dijk	ZR6TBL	011-942-3657
QSL Manager:	Vacant		

Hidden transmitter detector

This Circuit is a low gain wideband Tuned Radio Frequency receiver detecting from 500KHz to 600MHz. Upon detecting a signal the LED will illuminate. The detection range from a BUG is variable between 1 and 10meters by adjusting the 47K Preset. OA71 germanium detector diode can be replaced by a 1N4148 silicone rectifier diode but the range is less. If a 4.7uH choke is unavailable wind 5 turns of 22SWG enamel copper around a 5mm Air former. The LED limiting resistor can be lowered to 330R (ohms) if 6Volts is being used. To increase the range of the detector use a 20cm telescopic antenna and another for a ground plane connected to the 0ve(negative).

This circuit could have other uses.



73 Berridge ZS6BFL

Chairman:
Vice Chairman
Secretary / Treasurer:
Repeater/Packet Radio/Technical
Shacknews Editor:
Shacknews-Print & Posting:
Website Manager
QSL Manager:

Doug Wetton
Frank van Wensveen
Berridge Emmett
Ton Van Dijk
Berridge Emmett
Harry Lautenbach
Yvonne Van Dijk
Vacant

ZS6BXU 011-680-4906
ZS6TMV 011-942-3657
ZS6BFL 011-893-1291
ZS6ANA 011-942-3657
ZS6BFL 011-893-1291
ZS6LT 011-888-5362
ZR6TBL 011-942-3657