



ZS6HVB

Affiliated to the
SARL

SHACKNEWS

HIGHVELD AMATEUR RADIO CLUB

Second Quarter 2017

We're on



COMMUNICATION IS THE NAME OF THE GAME

The next meeting of 2017 will be held at the home of Rex on the 17th June.

Time 14:00 for 14:30.

From the SARL Sunday Bulletin 30 April 2017

ICASA has cancelled over 2 000 amateur licences and a substantial amount of commercial licences as well. The South African Radio League has sent out several cautionary notices since last year indicating that ICASA was embarking on a programme to cancel all licences that are in arrears. Cancellations are either because the licences were not pay last and previous years or because individuals paid without a proper reference number or because they short paid. Furthermore, many of these licenses cancelled are dormant and are an accumulation of non-payment over many years. The League have e-mailed the members directly to inform them, including information on the way forward to rectify the problem. It must be reiterated that the primary responsibility rests with the licensee to renew their licences annually.

Many people are complaining that they are getting no response from ICASA. This may be because ICASA is totally snowed under with renewals and queries, both commercial and from amateurs.

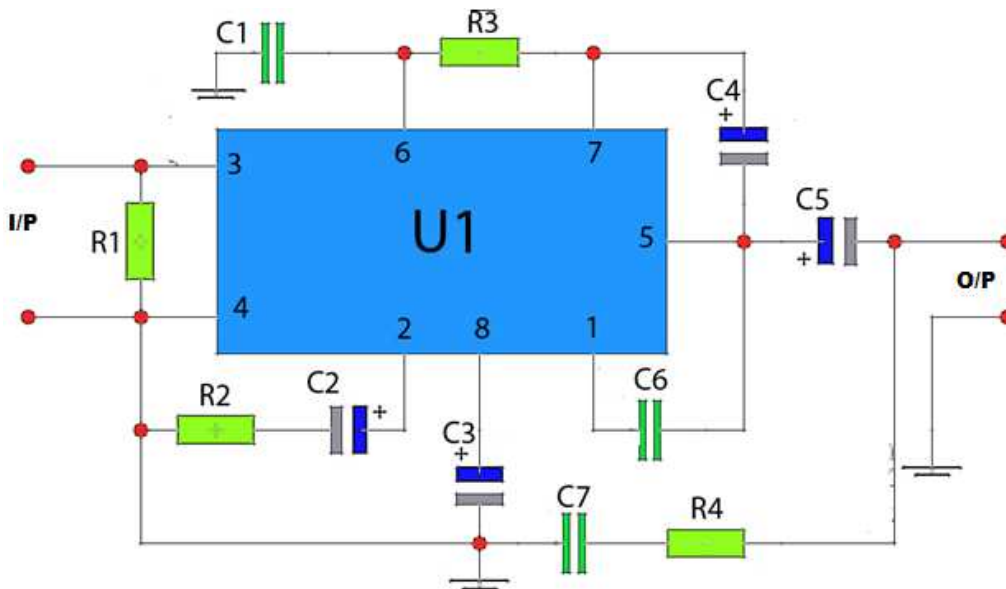
Please note that if the cancellation was because of an ICASA error – they will re-instate the licence. If not – the person must re-apply for a new licence. If your licence was cancelled, you need to re-apply for your licence. This requires the following:

- a. Complete the ICASA licence application form. It is on the League web site and can be found at http://www.sarl.org.za/public/ICASA/ICASA_Docs.asp
- b. A copy of your ID.
- c. A copy of either your operator certificate or HAREC certificate, (not required if it is a club). If you have mislaid this, the League can assist to provide a duplicate certificate.
- d. Payment of the application fee of R140 and the current year's licence fee of R134.00
- e. Submission of documents and proof of payment to ICASA, together with a request to re-issue your old callsign.

Please note that only ICASA can answer any questions you may have. The League does not have any information relating to why your licence was cancelled. The people to contact at ICASA are - Dewald Kuhrau at e-mail dkurau@icasa.org.za or Daleen Bence at e-mail dbence@icasa.org.za. It is highly recommended to use e-mail rather than the telephone.

If you are a member of the South African Radio League – they will be happy to assist you with any unusual difficulty you may have regarding any of the above. But as a first step you must please contact ICASA to establish the full nature of the problem.

Bench Amplifier



This amplifier circuit is very cheap, because not a lot of components that are required, and the voltage or amperage required is also not too large, so the transformer or power supply is also quite cheap. IC which can be used in power amplifier circuit is the KA2201, LM820M, TBA820M, U820. This amplifier output of 2 W and 4 ohm impedance, which can be applied to the speaker with 4W power, on such small speakers in front of a PC. For the required minimum input voltage of 3 volts and a maximum of 16 volts, for the recommended voltage of 12 volts.

Parts

Resistor

R1 = 100K
R2 = 120R
R3 = 100R
R4 = 10R

Capacitor

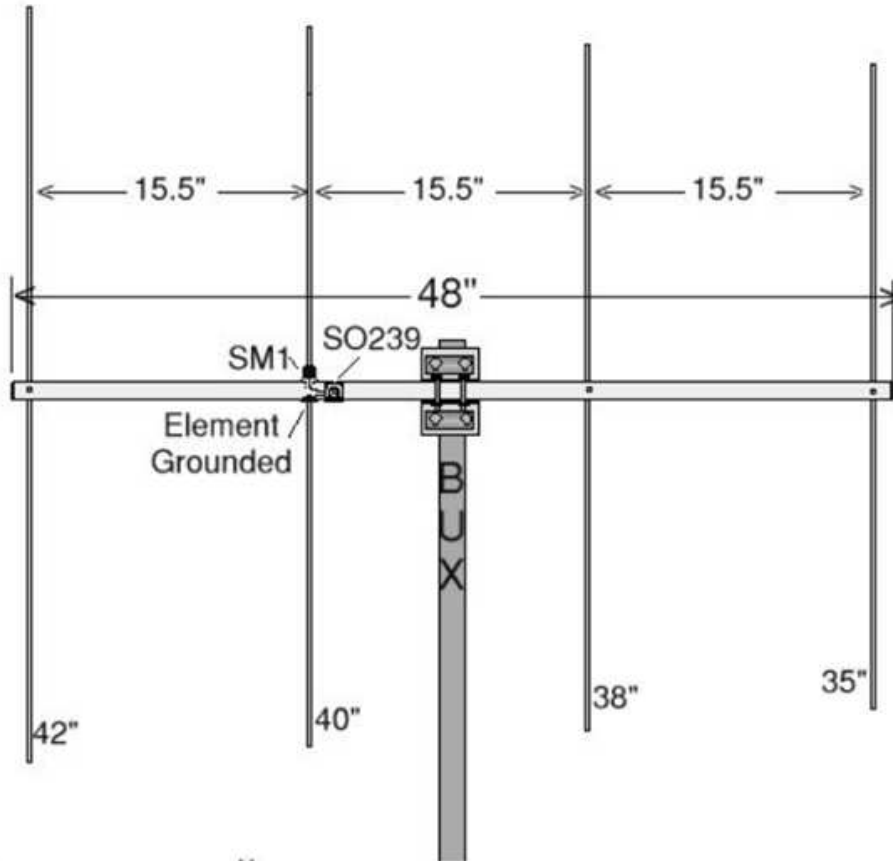
C1 = 0.1uF
C2 = 100uF
C3 = 47uF
C4 = 100uF
C5 = 470uF
C6 = 220pF
C7 = 100nF

IC

U1 = KA2201 , LM820M, TBA820M, U820

A police recruit was asked during the exam,
"What would you do if you had to arrest
your own mother?"
He answered, "Call for backup."

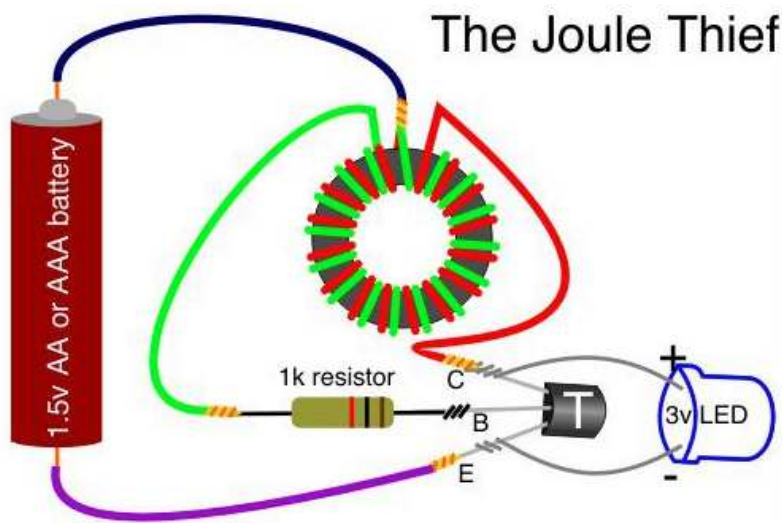
I DON'T UNDERSTAND HOW I CAN REMEMBER
EVERY WORD OF A SONG FROM 1965, BUT I
CAN'T REMEMBER WHY I WALKED INTO THE
KITCHEN?



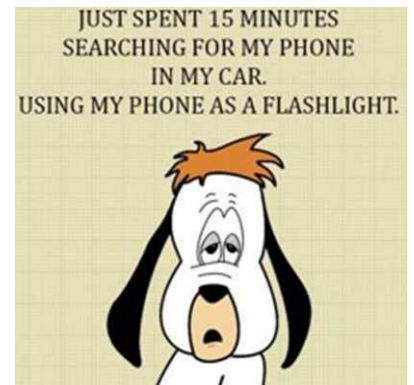
Four element, two meter beam, elements can be tubular aluminium or solid aluminium. This beam may be installed vertical, or horizontal. For optimum performance and gain, feed with 4:1 balun



Operate a LED off of a 1.5 volt battery



Transistor shown (T) is 2N3904 (can also use 2N2222).
 Note LED pins - negative is shorter and has flat on bulb edge.
 2 wires round ferrite ring are wound together, then start of one joined to end of other.
 Try adding more and more LEDs...



I am a Seenager. (Senior teenager)
 I have everything that I wanted as a teenager, only 60 years later.
 I don't have to go to school or work.
 I get an allowance every month.
 I have my own pad.
 I don't have a curfew.
 I have a driver's license and my own car.
 The people I hang around with are not scared of getting pregnant and they do not use drugs.
 And I don't have acne.
Life is great.

I remember seeing these at the OK in 1965. Eloff str.

The OK FOR COLLINS
ELOFF ST.

The 75S-3
R680.00

The 32S3 Xmitter with 175 watts PEP - Dual conversion - ALC - RF inverse feed back - CW spotting control - Collins Mechanical filter.
R825.00

The KWM-2 SSB/CW transceiver 175 watts PEP. 10 through 80 metres with filter type SSB generation. ALC - inverse RF feedback - Permeability - tuned variable oscillator - one Kc/s division dial.
R1240.00

Collins Power Supply for KWM 2/32S3 R125.00
Collins Speaker for KWM-2/75S3-B R 35.00

TRADE - INS ACCEPTED ENQUIRIES: ZS6VX
EASY TERMS ARRANGED P.O. Box 3171, Johannesburg

THE National NC
NC 300 RECEIVER

DOZENS OF USERS OF THIS FAMOUS RECEIVER IN SOUTH AFRICA WILL BACK US UP WHEN WE SAY THE NC300 IS THE PERFECT RECEIVER FOR HAM RADIO

ALL AVAILABLE ON EASY TERMS.

ELECTRICAL CONSTRUCTION
(PROPRIETARY LIMITED)

464 WEST STREET, DURBAN - P.O. Box 1295 - Phone 29577

Club Information

Monthly meeting venue

Every Third month
On the 3rd Saturday of the month
at 14:30.

@ various venues

Postal address PO Box 19937 Sunward Park 1470

Website <http://www.zs6hvb.za.net>

Back Issues of Shacknews available on the club website

e-mail zs6hvb@zs6hvb.za.net

Repeater 145.1875 MHz input - 145.7875 MHz output

Bulletins Sunday morning - 145.7875 MHz & 7162 KHz @ 08h45.

	Chairman	Vacant	Committee	
Secretary/Treasurer	Berridge Emmett	ZS6BFL	011-893-1291	
Shacknews Editor	Berridge Emmett	ZS6BFL	011-893-1291	
Shacknews Printing	Harry Lautenbach	ZS6LT	011-888-5362	