



# HIGHVELD AMATEUR RADIO CLUB

## SHACKNEWS

PO Box 19937 Sunward Park 1470 JULY 2006  
Website <http://www.qsl.net/zs6hvb/> e-mail [zs6hvbinfo@telkomsa.net](mailto:zs6hvbinfo@telkomsa.net)  
<http://www.qsl.net/zs6ssc/>

Sunday morning BULLETINS - 145.7875 MHz & 7062 KHz @ ±08h45.

### COMMUNICATION IS THE NAME OF THE GAME

**Meeting** At the next meeting Frank, ZS6EIN, will be giving a talk on Keps. To all the satellite buffs - see you there.

**SSC** The July meeting was held at the home of Berridge – ZS6BFL. Thanks to all those who pitched. Next meeting is to be held at the QTH of Rex ZS6REX. As this is a bring-and-braai it is proposed to hold it on Sunday 13 August from noon onwards.

---oooOOOooo---

### Living in Gauteng

Jack was sitting in an aeroplane when another guy took the seat beside him. The new guy was a wreck, pale, hands shaking, moaning in fear.

"Hey what's the matter?" Jack asked.

"Oh man. I've been transferred to Gauteng," the other guy answered. "There's crazy people in Gauteng. They have shootings, gangs, riots, drugs, the highest crime rate."

"Hold on," Jack interrupted. "I've lived in Gauteng all my life. It is not as bad as the media says. Find a nice home, go to work, mind your own business, enroll your kids in a good school and it's as safe as anywhere in the world."

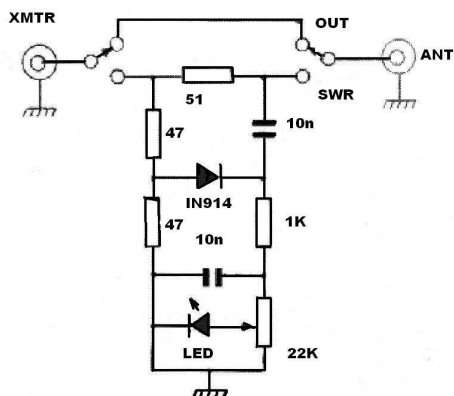
The other passenger relaxed and stopped shaking for a moment and said, "Oh, thank you. I've been worried to death. But if you live there and say it's OK, I'll take your word for it. What do you do for a living?"

"Me?" said Jack. "I'm a tail gunner on a Coca-Cola truck in Johannesburg."

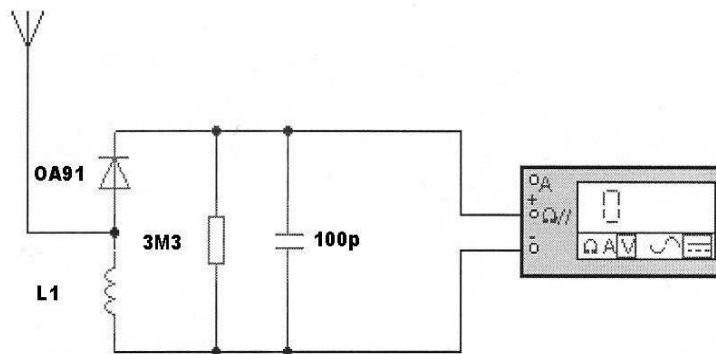
---oooOOOooo---

Chairman:	Errol De Lange	ZS6KED	011-672-4702
Secretary / Treasurer:	Berridge Emmett	ZS6BFL	011-893-1291
Repeater/Packet Radio/Technical	Ton Van Dijk	ZS6ANA	011-942-3657
Shacknews Editor:	Berridge Emmett	ZS6BFL	011-893-1291
Shacknews-Print & Posting:	Harry Lautenbach	ZS6LT	011-888-5362
Website Manager	Yvonne Van Dijk	ZR6TBL	011-942-3657
QSL Manager:	Reg Hartsliet	ZS6ALH	011-902-1432

## A SIMPLE LED SWR BRIDGE



This simple SWR bridge uses a super bright LED instead of a meter. It illuminates with less than 1 watt output and extinguishes when minimum VSWR is achieved. It can be made very small and lends itself to portable/mobile use.



This Field Strength Meter is simple and also quite sensitive. It uses an ordinary digital voltmeter to measure signal strength. The VM should be set to the lowest dc volts range for maximum sensitivity. This is normally 200mV DC for most meters.

For 2M L1 is 7 turns on a 6mm former with ferrite slug. A digital millimeter, as opposed to an analogue signal meter has several advantages in this circuit.

First, the impedance of a digital meter is very high, around 10M /volt on most meters. This does not shunt the tank circuit unduly. Second, as opposed to an analogue meter, very small differences in signal strength can be observed more easily on the digital meter. Thirdly, used with a digital meter, the FSM will have better linearity, responding well to both weak and stronger signals, a cheap analogue meter may not respond too well to very weak changes in signal strength.

---oooOOOooo---

Chairman:	Errol De Lange	ZS6KED	011-672-4702
Secretary / Treasurer:	Berridge Emmett	ZS6BFL	011-893-1291
Repeater/Packet Radio/Technical	Ton Van Dijk	ZS6ANA	011-942-3657
Shacknews Editor:	Berridge Emmett	ZS6BFL	011-893-1291
Shacknews-Print & Posting:	Harry Lautenbach	ZS6LT	011-888-5362
Website Manager	Yvonne Van Dijk	ZR6TBL	011-942-3657
QSL Manager:	Reg Hartsliet	ZS6ALH	011-902-1432

## LAWS OF THE NATURAL UNIVERSE

### Law of Mechanical Repair:

After your hands become coated with grease, your nose will begin to itch or you'll have to pee.

### Law of the Workshop:

Any tool, when dropped, will roll to the least accessible corner.

### Law of Probability:

The probability of being watched is directly proportional to the stupidity of your act.

### Law of the Telephone:

If you dial a wrong number, you never get a busy signal.

### Law of the Alibi:

If you tell the boss you were late for work because you had a flat tire, the very next morning you will have a flat tire.

### Variation Law:

If you change lines (or traffic lanes), the one you were in will start to move faster than the one you are in now (works every time).

### Law of the Bath:

When the body is fully immersed in water, the telephone rings.

### Law of Close Encounters:

The probability of meeting someone you know increases when you are with someone you don't want to be seen with.

### Law of the Result:

When you try to prove to someone that a machine won't work, it will.

### Law of Biomechanics:

The severity of the itch is inversely proportional to the reach.

### Law of the Theatre:

At any event, the people whose seats are furthest from the aisle arrive last.

### Law of Coffee:

As soon as you sit down to a cup of hot coffee, your boss will ask you to do something, which will last until the coffee is cold.

### Murphy's Law of Lockers:

If there are only two people in a locker room, they will have adjacent lockers.

### Law of Rugs/Carpets:

The chances of an open-faced jelly sandwich landing face down on a floor covering are directly correlated to the newness and cost of the carpet/rug.

### Law of Location:

No matter where you go, there you are.

### Law of Logical Argument:

Anything is possible if you don't know what you are talking about.

### Brown's Law:

If the shoe fits, it's ugly.

### Oliver's Law:

A closed mouth gathers no feet.

### Wilson's Law:

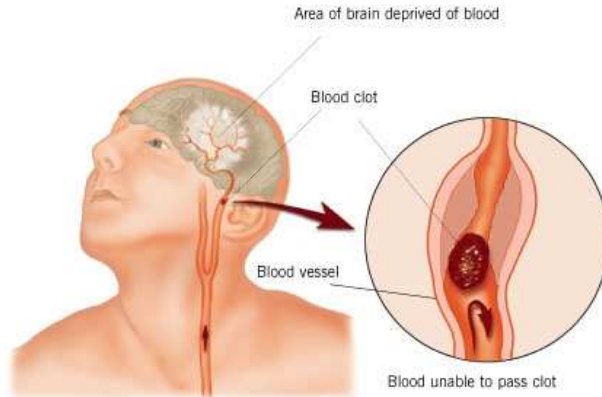
As soon as you find a product that you really like, they will stop making it.

---oooOOOooo---

Chairman:	Errol De Lange	ZS6KED	011-672-4702
Secretary / Treasurer:	Berridge Emmett	ZS6BFL	011-893-1291
Repeater/Packet Radio/Technical	Ton Van Dijk	ZS6ANA	011-942-3657
Shacknews Editor:	Berridge Emmett	ZS6BFL	011-893-1291
Shacknews-Print & Posting:	Harry Lautenbach	ZS6LT	011-888-5362
Website Manager	Yvonne Van Dijk	ZR6TBL	011-942-3657
QSL Manager:	Reg Hartsliel	ZS6ALH	011-902-1432

**This could be useful (from the USA)**

**STROKE: Remember The 1st Three Letters... S.T.R.**



### STROKE IDENTIFICATION:

During a BBQ, a friend stumbled and took a little fall - she assured everyone that she was fine (they offered to call paramedics) and just tripped over a brick because of her new shoes. They got her cleaned up and got her a new plate of food - while she appeared a bit shaken up; Ingrid went about enjoying herself the rest of the evening. Ingrid's husband called later telling everyone that his wife had been taken to the hospital - (at 6:00pm, Ingrid passed away.) She had suffered a stroke at the BBQ. Had they known how to identify the signs of a stroke, perhaps Ingrid would be with us today. Some don't die. They end up in a helpless, hopeless condition instead. It only takes a minute to read this...

*A neurologist says that if he can get to a stroke victim within 3 hours he can totally reverse the effects of a stroke...totally. He said the trick was getting a stroke recognized, diagnosed, and then getting the patient medically cared for within 3 hours, which is tough.*

### RECOGNIZING A STROKE

*Thank God for the sense to remember the "3" steps, **STR**. Read and Learn!* Sometimes symptoms of a stroke are difficult to identify. Unfortunately, the lack of awareness spells disaster. The stroke victim may suffer severe brain damage when people nearby fail to recognize the symptoms of a stroke.

Now doctors say a bystander can recognize a stroke by asking three simple questions:

**S** \* Ask the individual to **SMILE** .

**T** \* Ask the person to **TALK** to **SPEAK A SIMPLE SENTENCE** (Coherently) (i.e. . . It is sunny out today).

**R** \* Ask him or her to **RAISE BOTH ARMS** .

***NOTE:** Another 'sign' of a stroke is this: Ask the person to 'stick' out their tongue. If the tongue is 'crooked', if it goes to one side or the other that is also an indication of a stroke. If he or she has trouble with ANY ONE of these tasks, call **emergency services immediately and describe the symptoms.***

## 73 Berridge ZS6BFL

Chairman:  
Secretary / Treasurer:  
Repeater/Packet Radio/Technical  
Shacknews Editor:  
Shacknews-Print & Posting:  
Website Manager  
QSL Manager:

Errol De Lange  
Berridge Emmett  
Ton Van Dijk  
Berridge Emmett  
Harry Lautenbach  
Yvonne Van Dijk  
Reg Hartsliel

ZS6KED  
ZS6BFL  
ZS6ANA  
ZS6BFL  
ZS6LT  
ZR6TBL  
ZS6ALH

011-672-4702  
011-893-1291  
011-942-3657  
011-893-1291  
011-888-5362  
011-942-3657  
011-902-1432